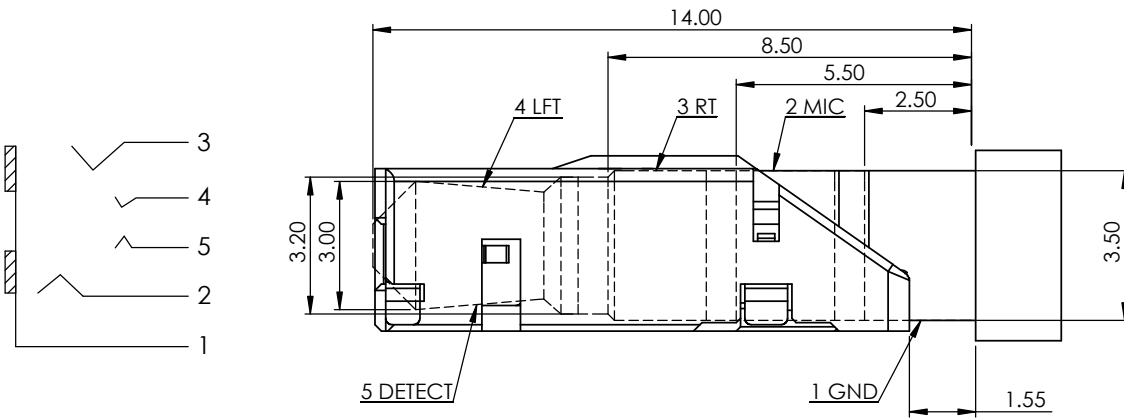
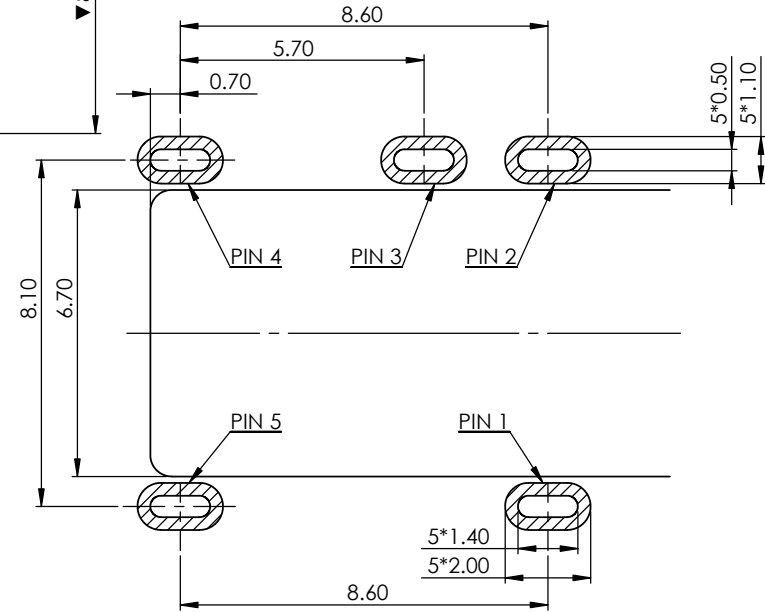
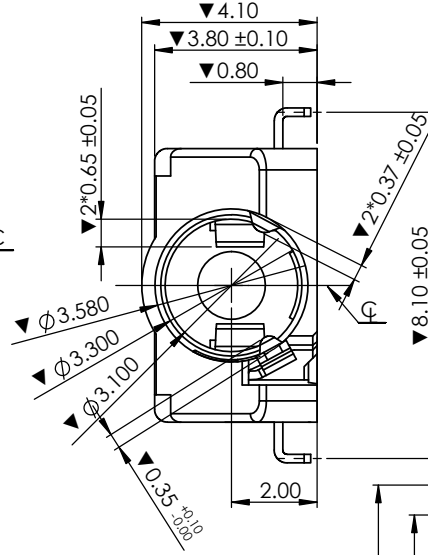
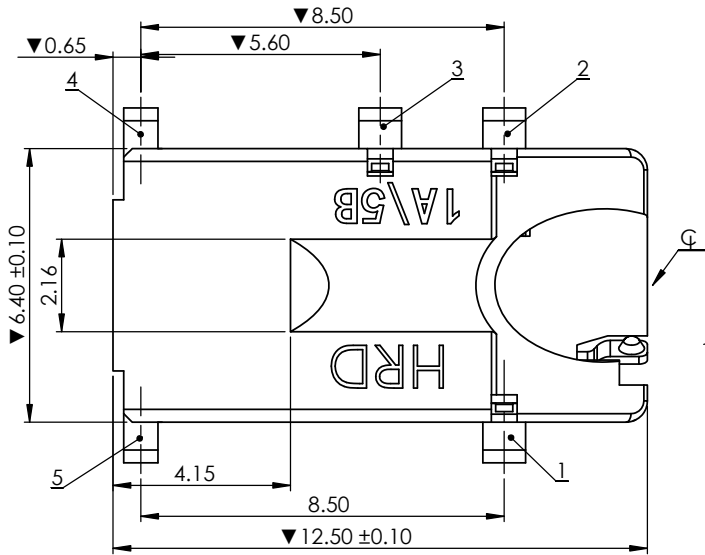
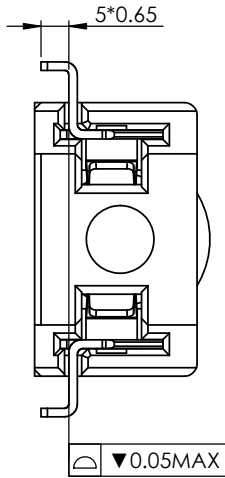
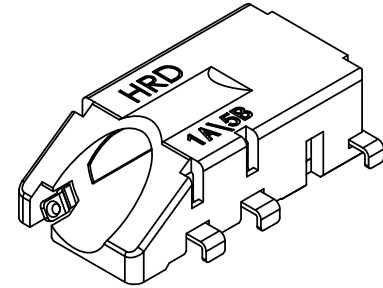
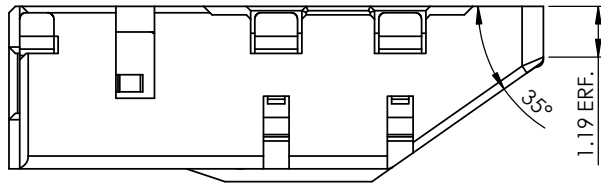


NO	DESCRIPTION
1	GND
2	MIC
3	RT
4	LET
5	DETECT



NOTES:
 1. MATERIAL:
 BODY: PA 9T, BLACK, UL 94V-0
 TERMINAL: COPPER ALLOY, T=0.20mm
 2. FINISH:
 TERMINAL: 50μ" MIN Ni UNDER PLATING OVER ALL
 GOLD FLASH UNDER PLATING OVER ALL
 3. ALL DIMENSIONS MARKED ▼ MUST BE CONTROLLED BY QC

				UNITS: mm	GENERAL TOLERANCE		DRAW:	PART NO: PH20-1A30F38A
				DATE: 12/26/2014	X. ±0.20	X' ±2.00'	CHECKED:	TITLE: Ø3.5MM PHONE JACK CONN. 正沉沉板0.80mm·H=3.80mm
				SCALE: 8/1	.X ±0.15	.X' ±1.00'	APPROVE:	DRAWING NO:
				SHEET: 1/1	.XX ±0.10	.XX' ±0.50'		
				REV. A	.XXX ±0.05			
REV.	ECN NO.	DESCRIPTION	DATE	MATERIAL:	昆山捷皇电子精密科技有限公司 HONGRIDA ELECTRONIC TECHNOLOGY CO., LTD.			
		NEW	12/26/2014	FINISH: SEE NOTE				