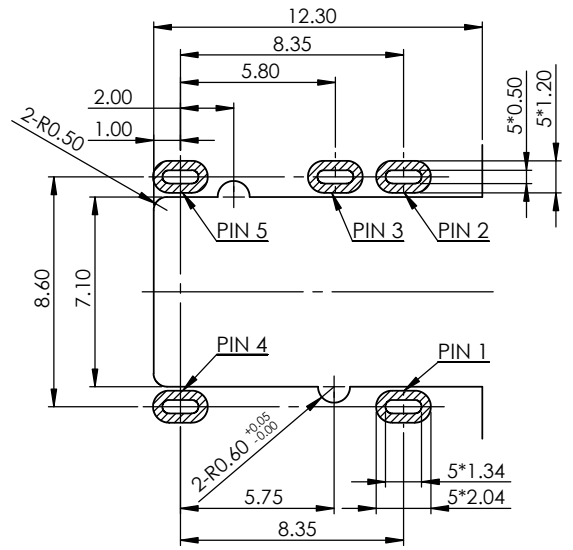
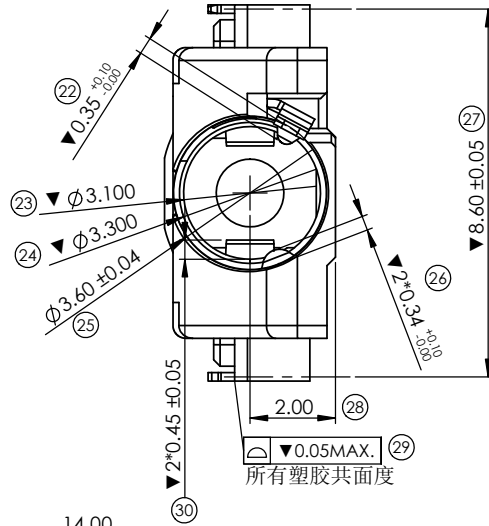
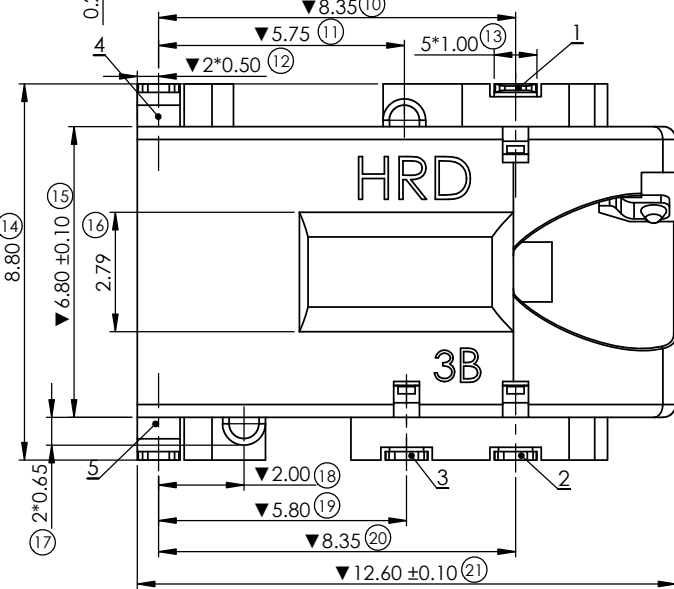
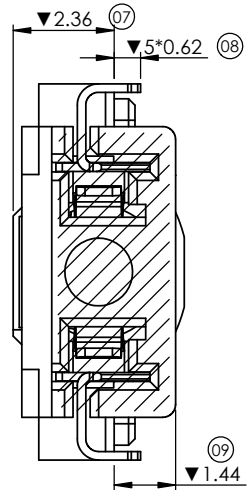
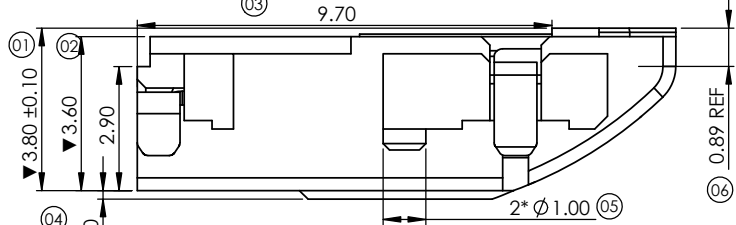


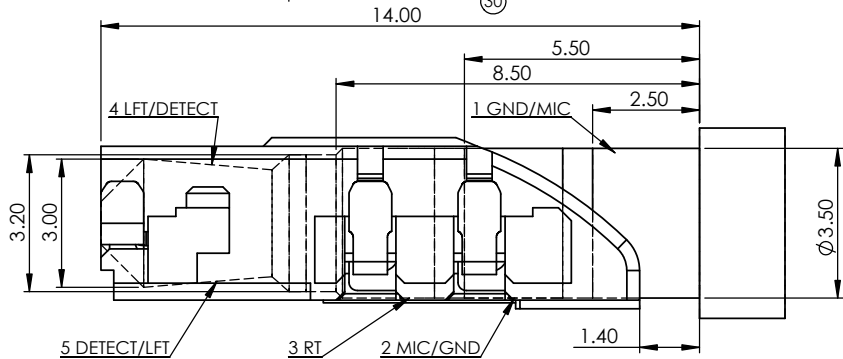
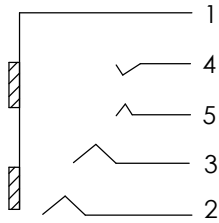
NO	DESCRIPTION
1	GND/MIC
2	MIC/GND
3	RT
4	LFT/DETECT
5	DETECT/LFT



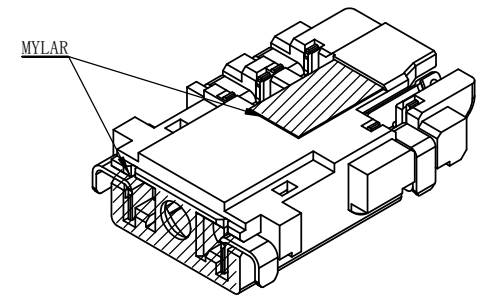
P.C.B. LAYOUT (TOLERANCE:±0.05) (5:1)

NOTES:

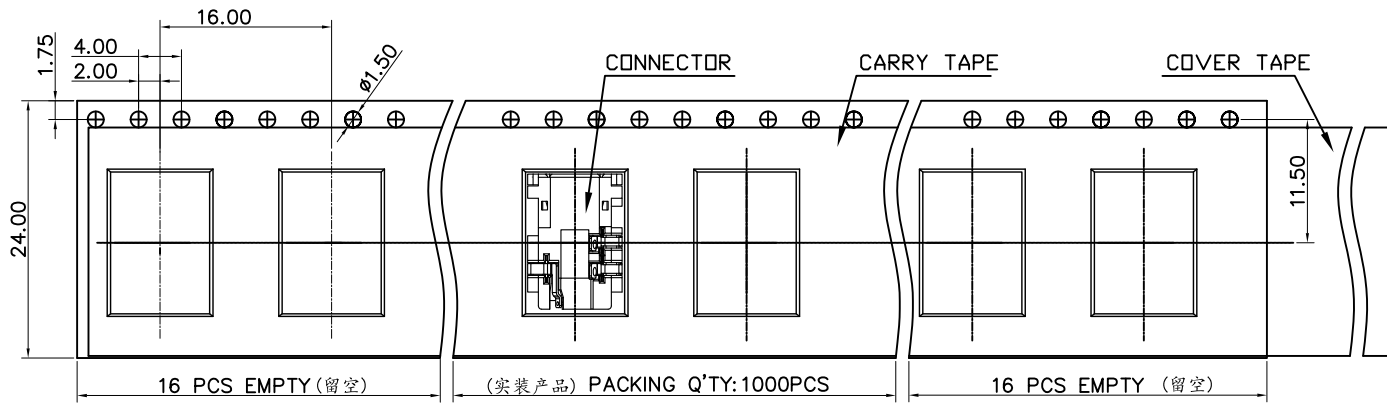
- MATERIAL:
BODY: PA 9T, BLACK, UL 94HB
TERMINAL: 1#/2#/3# C5210-H, T=0.20mm
4#/5# SUS304-3/4H, T=0.20mm
- FINISH:
TERMINA: 50u" MIN Ni UNDER PLATING OVER ALL
Au 3u" MIN PLATING ON CONTACT
Au 1u" MIN PLATING ON SOLDER TALLS
- ALL DIMENSIONS MARKED ▼ MUST BE CONTROLLED BY QC
- ALL DIMENSIONS MARKED ⊗ MUST BE MEASURED BY FAI
- PRODUCT SPECIFICATIONS:
5-1 WITHSTANDING: 500VAC/MINUTE
5-2 CONTACT RESISTANCE: 50 MILLIOHM (initial) Max.
5-3 INSULATION RESISTANCE: 100 MEGOHM Min.
5-4 MATING AND UNMATING FORCE: 5-20 N. (BEFORE DURABILITY)
5-5 MATING AND UNMATING FORCE: 4-20 N. (AFTER DURABILITY)
5-6 OPERATION TEMPERATURE: -25° TO +85°
5-7 STORAGE TEMPERATURE: -25° TO +85°
5-8 DURABILITY: 5000 CYCLE
5-9 SALT SPRAY: 48H



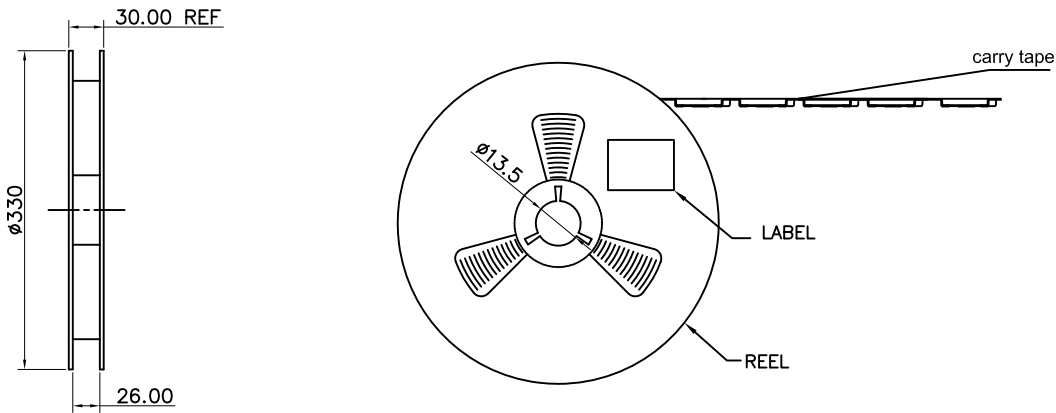
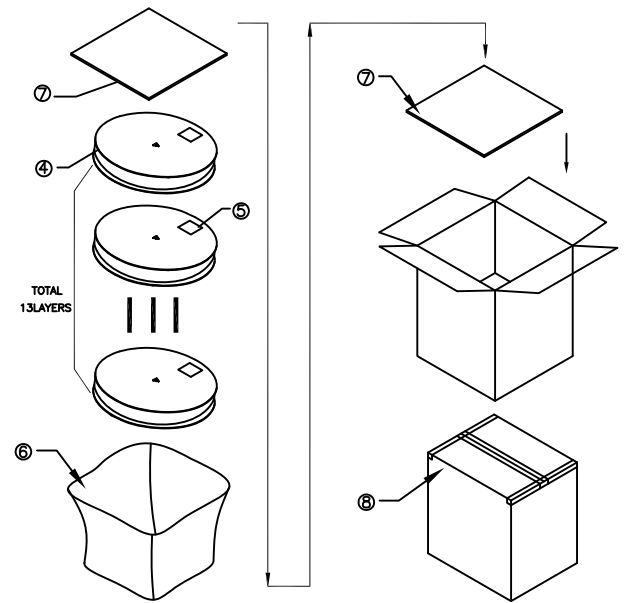
对插示意图



REV.	ECN NO.	DESCRIPTION	DATE	UNITS: mm	GENERAL TOLERANCE	DRAW:	PART NO:
				DATE: 05/08/2018	X. ±0.20 X' ±0.15 .XX ±0.10 .XXX ±0.05	X. ±2.00 X' ±1.00 .XX ±0.50	PH69-3B24A38M
				SCALE: 8/1		CHECKED:	TITLE: Ø3.5MM PHONE JACK CONN. 反沉沉板1.44mm * H=3.80mm
				SHEET: 1/1		APPROVE:	DRAWING NO: C-PH69-0000_A
		NEW	05/08/2018	TITLE: CUSTOMER DRAWING	昆山捷星电子精密科技有限公司 HONGRIDA ELECTRONIC TECHNOLOGY CO., LTD.		
				FINISH: SEE NOTE			



PH69-3B24A38M 包装示意图



BOM:

NO.	NAME	P/N	SPEC.	Q'TY
①	PHONE JACK	PH69-3B24A38M	DIP	10400PCS
②	CARRIER TAPE	R24-PH693951	PS,W=24.0,P=16.0	173.056m
③	COVER TAPE	C24-01000000	PE,W=20.7,T=0.05	173.472m
④	REEL	P24-01100000	φ330,H=24.0	13PCS
⑤	LABEL	L01-01000000		13PCS
⑥	PE袋	G01-00907007	900*700	1PCS
⑦	隔板	Y03-40036000	400*360*3	2PCS
⑧	纸箱	W01-01353539	350*350*390	1PCS

NO.	DESCRIPTION	MAT,L	COLOR	REMARK
3				
2				
1	CARRIER TAPE	PS	TRANSPARENT	

				UNITS: mm	GENERAL TOLERANCE	DRAW:	PART NO: PH69-3B24A38M
				DATE: 05/15/2018	X. ±0.20 .X ±0.15 .XX ±0.10 .XXX ±0.05	X' ±2.00' .X' ±1.00'	TITLE: φ 3.5MM PHONE JACK CONN.
				SCALE: N/A		APPROVE:	DRAWING NO:
				REV. A	NEW		
	ECN NO.	DESCRIPTION	DATE	SHEET: 1/1	MATERIAL:		
				REV. A	FINISH:		


 昆山捷皇电子精密科技有限公司
 HRD ELECTRONIC TECHNOLOGY CO.,LTD.