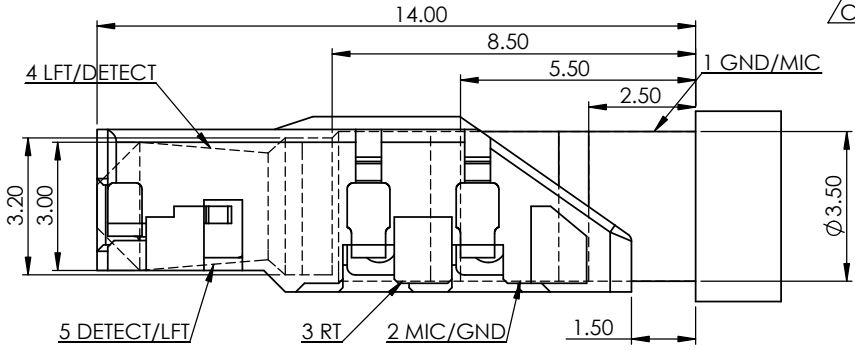
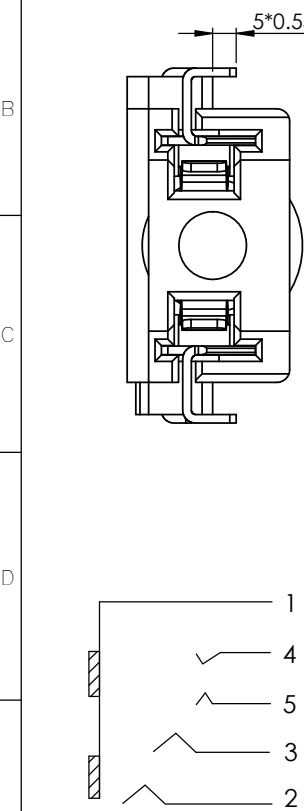
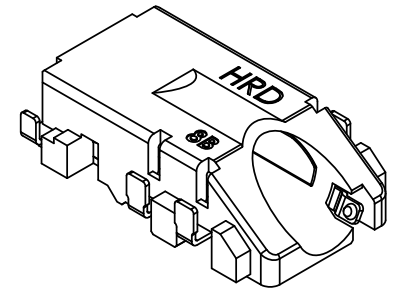
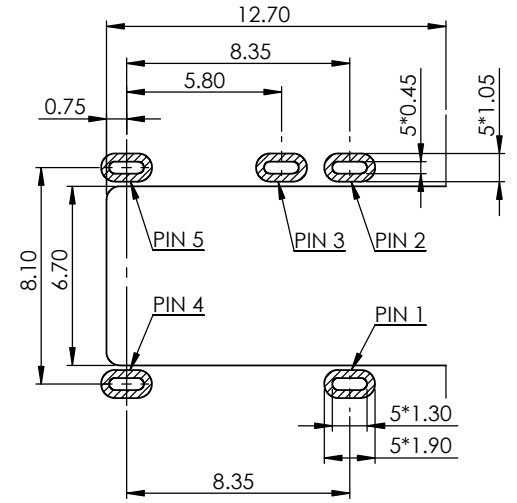
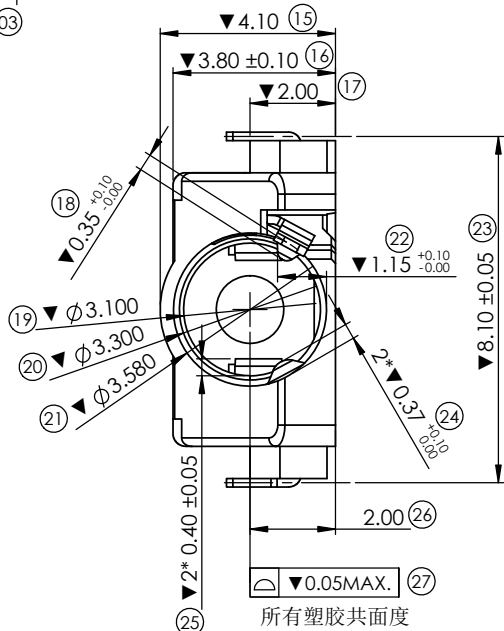
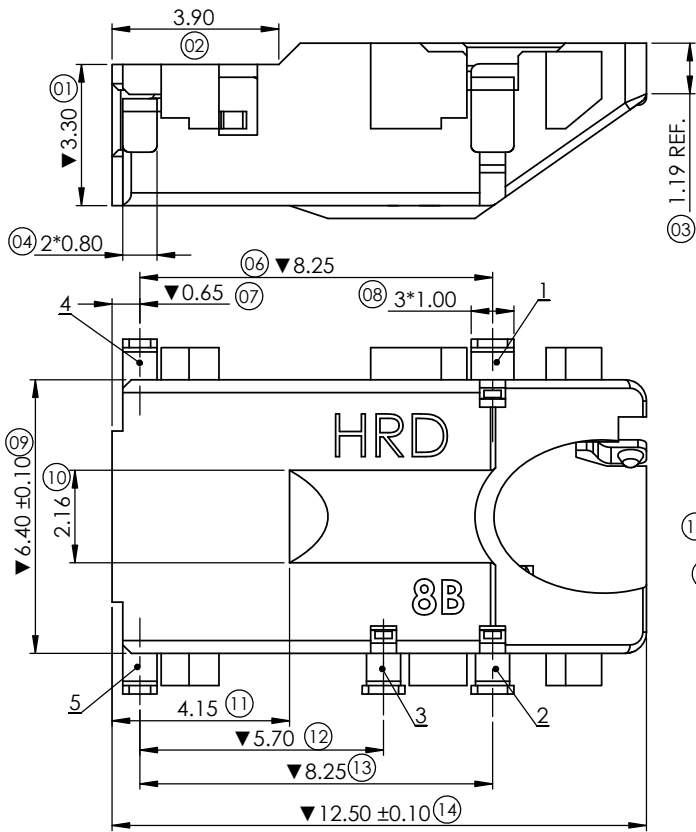


NO	DESCRIPTION
1	GND/MIC
2	MIC/GND
3	RT
4	LFT/DETECT
5	DETECT/LFT



PLUG 插入示意图

NOTES:  
 1.MATERIAL:  
 BODY:PA 9T,BLACK,UL 94HB  
 1#/2#/3# TERMINAL: COPPER ALLOY,T=0.20mm  
 4#/5#/TERMINAL: STAINLESS STEEL,T=0.20mm  
 2.FINISH:  
 TERMINA:50u" MIN Ni UNDER PLATING OVER ALL  
 1u" MIN AU PLATED ON CONTACT AND SOLDER AREA  
 3.ALL DIMENSIONS MARKED ▼ MUST BE CONTROLLED BY QC  
 4.ALL DIMENSIONS MARKED (XX) MUST BE MEASURE BY FAI

REV.	ECN NO.	DESCRIPTION	DATE	REV.	A	FINISH: SEE NOTE	UNITS: mm	GENERAL TOLERANCE	DRAW:	PART NO:
								X. ±0.20 .X ±0.15 .XX ±0.10 .XXX ±0.05		PH25-8B20F38S
							DATE: 08/25/2016	X' ±2.00 .X' ±1.00 .XX' ±0.50	CHECKED:	TITLE: Φ3.5MM PHONE JACK CONN. 反沉沉板2.00mm·H=3.80mm
							SCALE: 8 / 1		APPROVE:	DRAWING NO:
							SHEET: 1 / 1	MATERIAL:		


**昆山捷皇电子精密科技有限公司**  
 HONGRIDA ELECTRONIC TECHNOLOGY CO., LTD.