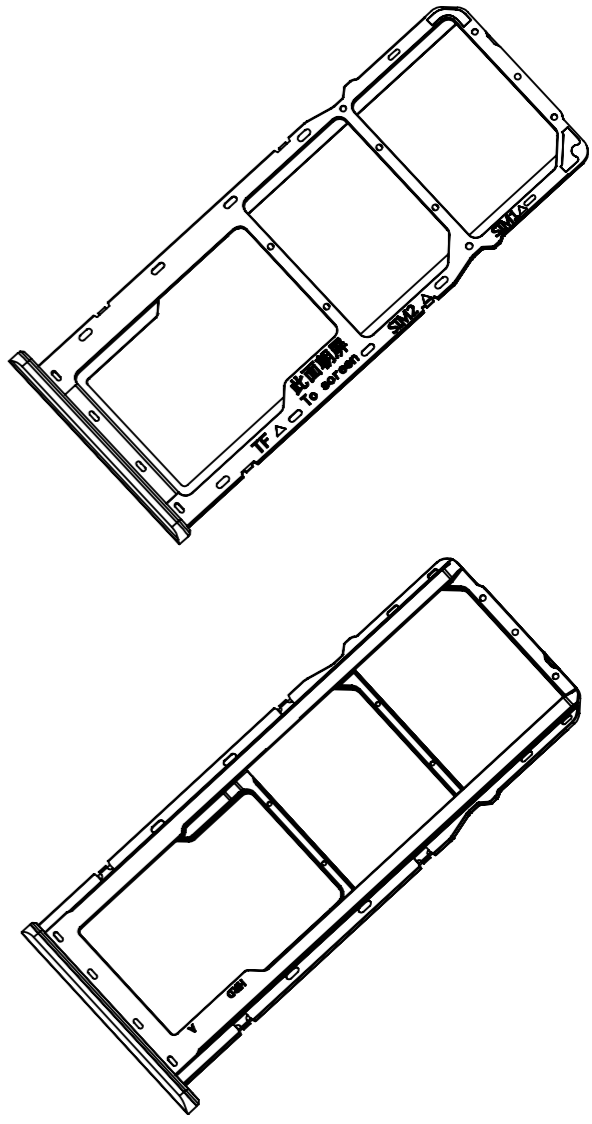
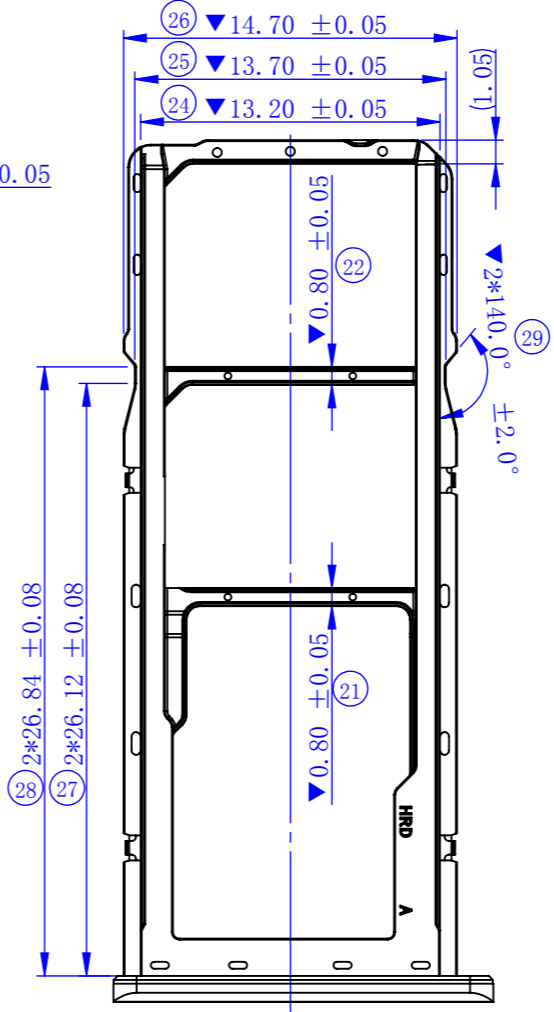
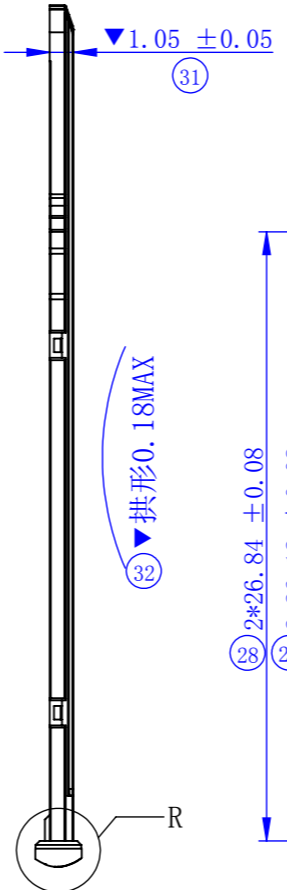
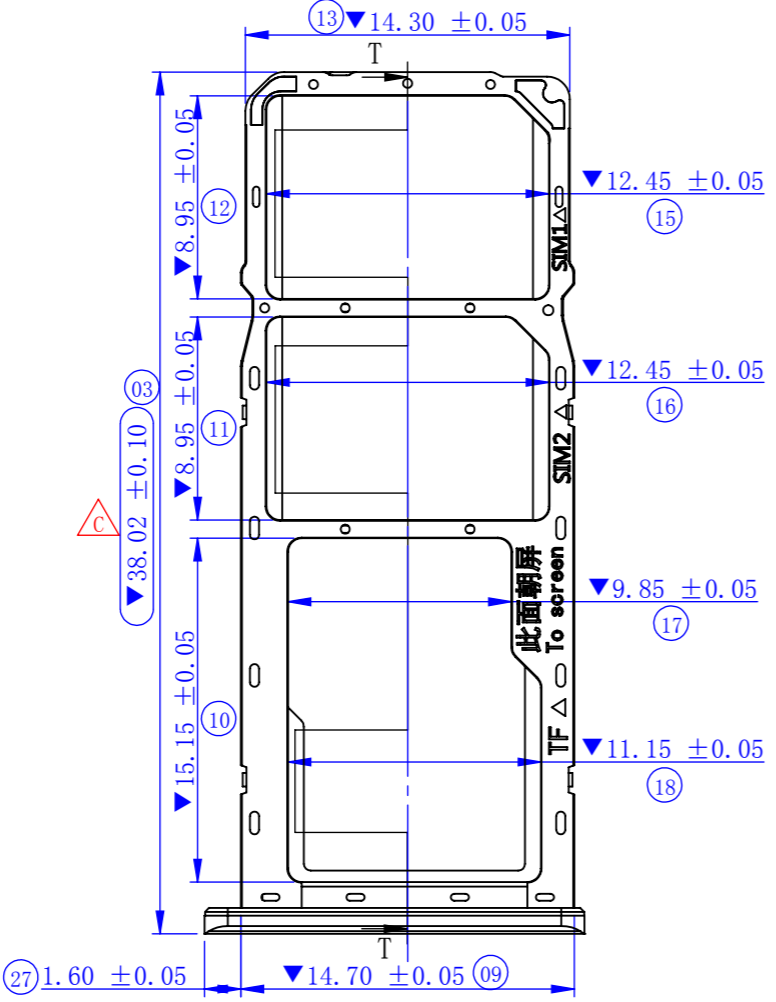
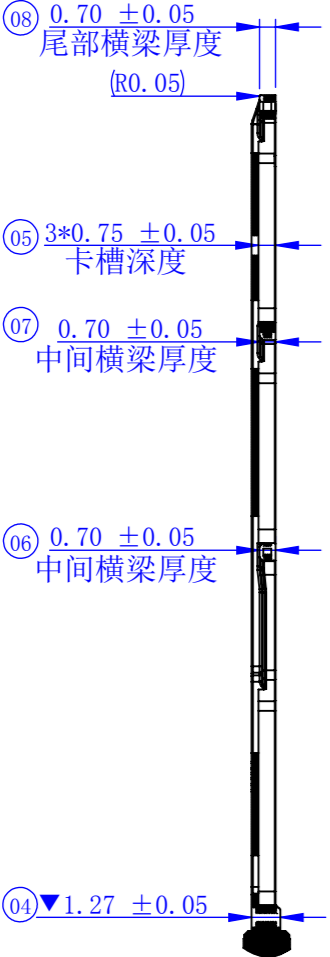
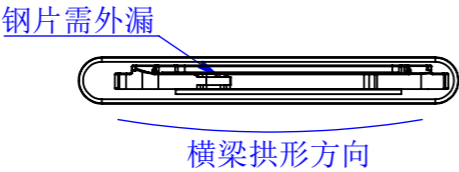
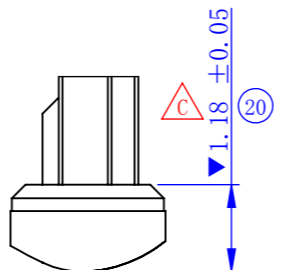
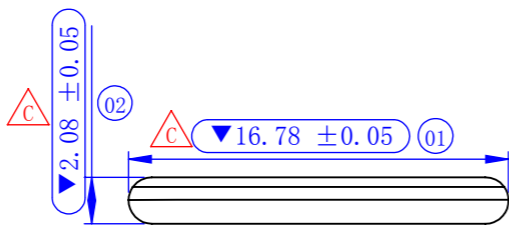


真空镀版本



剖面 T-T
比例 3 : 1



局部视图 R
比例 10 : 1

- NOTES:
- MATERIAL:
Housong: PC, 颜色: 蓝色;
Guide: Stainless Steel, T=0.35mm.
 - GP PASSED ACCORD WITH HRD-RoHS-219 STANDARD.
 - CAMBER OF CARRIER TO BE 10mm MAX. /m.
 - THE BURR MUST BE LESS THAN 0.03mm.
 - ALL DIMENSIONS MARKED ▼ MUST BE CONTROLLED BY QC.
 - ALL DIMENSIONS MARKER (XX) MUST BE MEASURE BY FAI.
 - 产品表面不得有划伤、油污、缺胶、扭曲变形、裂痕等缺陷。
 - 产品表面需镭射字符，详细见图纸字符。
 - 卡帽需要喷涂处理，外观管控按照喷涂外观严格要求；

REV.	ECN NO.	DESCRIPTION	DATE	UNITS: mm	GENERAL TOLERANCE			DRAW:	PART NO:
C	E1810485A	新增真空镀规格	10/30/2018	DATE: 07/09/2018	X. ±0.15	X.° ±3.00°	CHECKED:	KT072-KCD13020	
B	E1809362A	放宽部分尺寸公差	09/03/2018	SCALE: 3/1	.X ±0.10	.X° ±2.00°	APPROVE:	三选三一体式卡托	
A	E1807257A	新图面发行	07/09/2018	SHEET: 1/1	.XX ±0.05	.XX° ±1.00°		DRAWING NO: C-KT072-0000	
				REV. A	.XXX ±0.02	.XXX° ±0.50°			
					MATERIAL: 客户图				
					FINISH: SEE NOTE				

