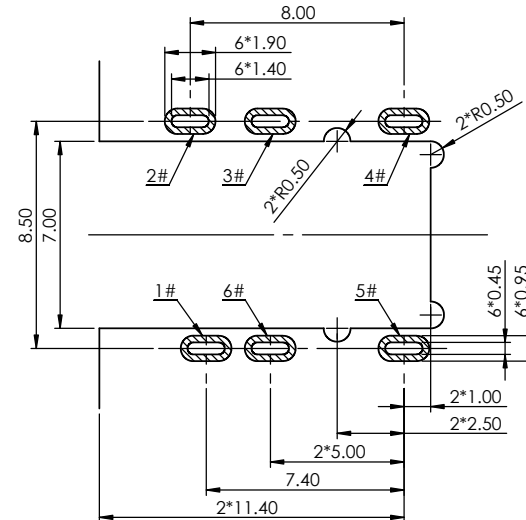
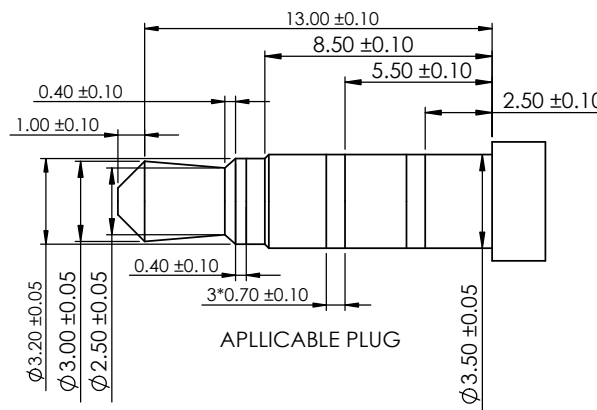
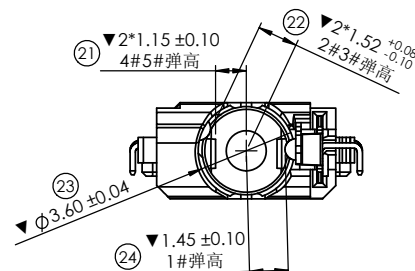
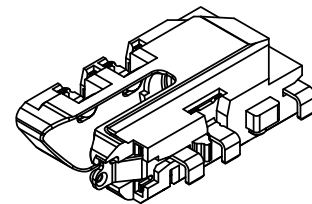
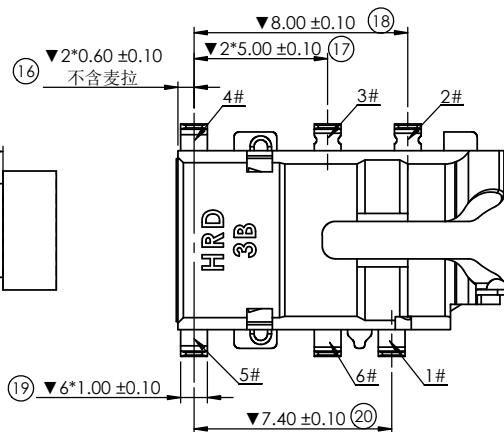


PLUG插入示意图



P.C.B LAYOUT (TOLERANCE:±0.05)

D/C PART NO. :  
 H X X X X X  
 H=HRD  
 X=X  
 X=X  
 X=X  
 X=X  
 X=X  
 线别: A=A线、B=B线.....  
 电镀: A=Au 5U"  
 B=Au 15U"  
 年: 7=2017年  
 8=2018年  
 9=2019年.....  
 7=2017年  
 8=2018年  
 9=2019年.....  
 班别: 1=白班  
 2=夜班  
 日: 1=1日, 2=2日.....  
 A=10日, B=11日.....  
 (WITH OUT 1、O、Z)  
 月: 1=1月, 2=2月.....  
 A=10月, B=11月.....

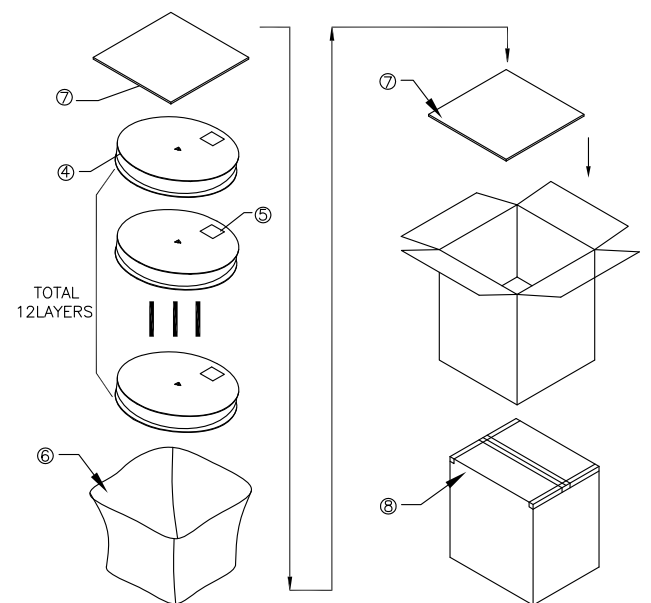
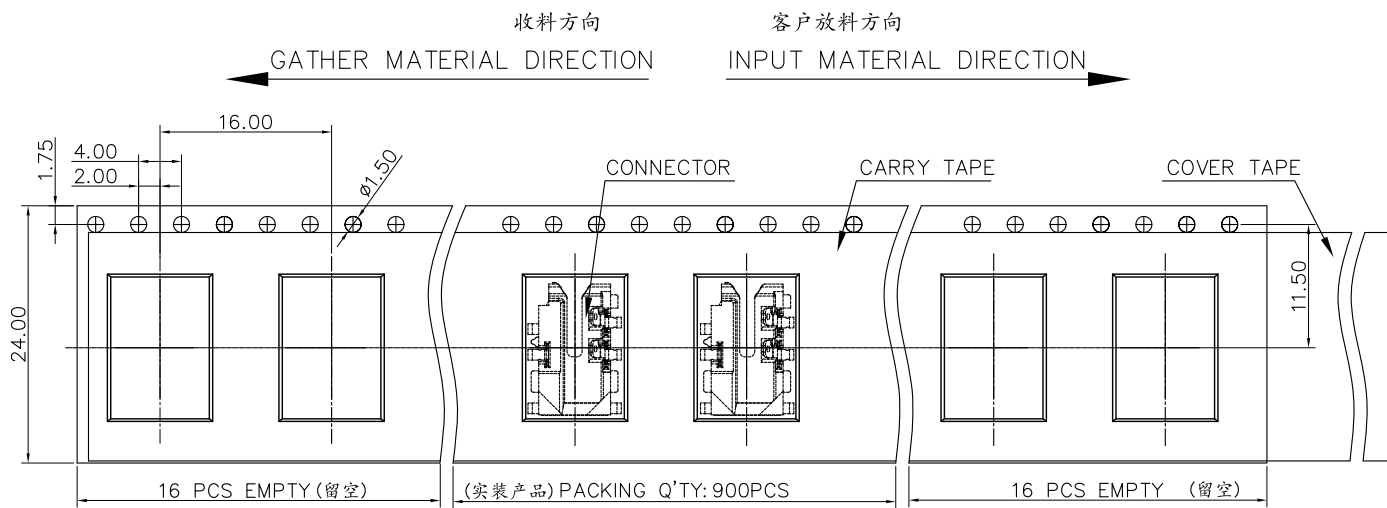
NOTES:  
 1.MATERIAL:  
 HOUSING:NYLON-9T(全新料),BLACK,UL 94V-0  
 TERMINAL:COPPER ALLOY OR STAINLESS STEEL  
 2.FINISH:  
 CONTACT:15u"Min Au PLATED ON CONTACT  
 1u"Min Au PLATED ON SOLDERTAILS AREA  
 50-150u" Ni UNDER PLATED OVER ALL  
 3.ALL DIMENSIONS MARKED (X) MUST BE MEASURE BY FAI  
 4.PRODUCT SPECIFICATIONS:  
 4-1 WITHSTANDING: 500VAC/MINUTE  
 4-2 CONTACT RESISTANCE: 50 MILLIOHM (initial) Max.  
 4-3 INSULATION RESISTANCE: 100 MEGOHM Min.  
 4-4 MATING FORCE : 5-20 N (BTFORE DURABILITY)  
 3-20 N (AFTER DURABILITY)  
 4-5 UNMATING FORCE : 7-20 N (BTFORE DURABILITY)  
 5-20 N (AFTER DURABILITY)  
 4-6 OPERATION TEMPERATURE : -25° TO +85°  
 4-7 STORAGE TEMPERATURE: -25° TO +85°  
 4-8 DURABILITY : 5000 CYCLES

HOUSING	NYLON-9T(全新料),BLACK,UL 94V-0		1
Mylar	KAPTON T=0.06mm	/	1
6# RESERVED	SUS304-3/4H T=0.20mm	50-150U" Ni UNDER PLATED OVER ALL 1U" MIN AU ON SOLDER AREA	1
5# DETECT	SUS304-3/4H T=0.20mm	50-150U" Ni UNDER PLATED OVER ALL 15U" MIN AU ON CONTACT AREA 1U" MIN AU ON SOLDER AREA	1
4# L AUDIO	C5210-H T=0.20mm		1
3# R AUDIO	C5210-EH T=0.20mm		1
2# MIC			1
1# GND			1
NAME	MATERIAL	FINISH	QTY

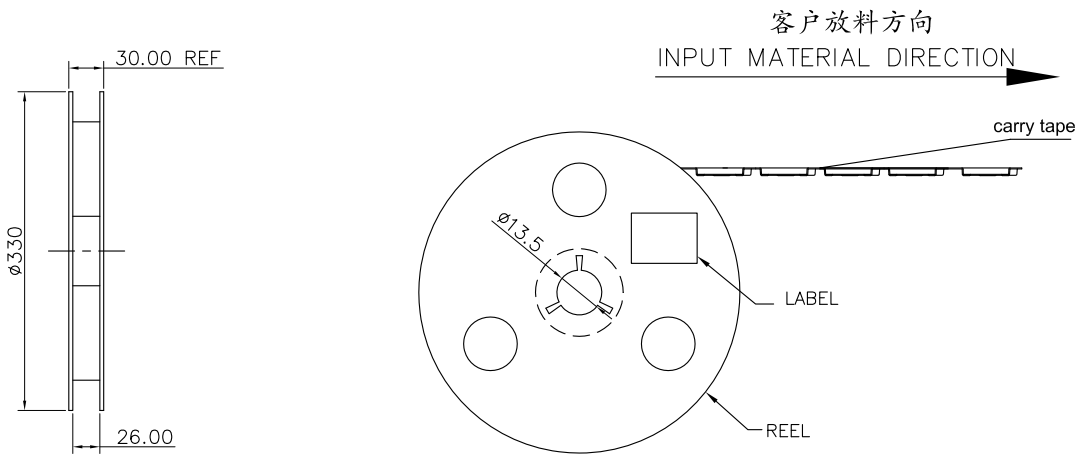
REV.	ECN NO.	DESCRIPTION	DATE	UNITS: mm	GENERAL TOLERANCE	DRAW:	PART NO:
				DATE: 04/30/2019	X. ±0.20 .X' ±0.15 .XX ±0.10 .XXX ±0.05	CHECKED:	PH132-3B22C36M
				SCALE: 5/1	X' ±2.00 .X' ±1.00 .XX' ±0.50	APPROVE:	NAME: φ3.50MM PHONE JACK CONN.
				SHEET: 1/1			DRAWING NO: C-PH132-0003
				REV. A	TITLE: CUSTOMER FIGURE		
					FINISH: SEE NOTE		



昆山捷皇电子精密科技有限公司  
 HONGRIDA ELECTRONIC TECHNOLOGY CO., LTD.




PH132-3B22C36M & 包装示意图



BOM:

NO.	NAME	P/N	SPEC.	Q'TY
①	PHONE JACK	PH132-3B22C36M	DIP	10800PCS
②	CARRY TAPE	R24-PH132360	PS,W=24.0,P=16.0	178.944m
③	COVER TAPE	C24-01000000	PE,W=21.3,T=0.05	178.944m
④	REEL	P24-01100000	φ330,H=24.0	12PCS
⑤	PE袋	G01-00907007	900*700*0.07	1PCS
⑥	纸箱	W01-01353539	350*350*390	1PCS

				UNITS: mm	GENERAL TOLERANCE		DRAW:	PART NO: <b>P-PH132-3B22C36M</b>
				DATE: 04/30'2019	X. ±0.20 .X ±0.15 .XX ±0.10 .XXX ±0.05	X.' ±2.00' .X' ±1.00' .XX' ±0.50'	CHECKED:	NAME: φ 3.5MM PHONE JACK CONN.
				SCALE: N/A			APPROVE:	DRAWING NO: C-PH132-0003
A	—	NEW	04/30'2019	SHEET: 1/1	TITLE: PACKAGING DRAWING		 昆山捷皇电子精密科技有限公司 HRD ELECTRONIC TECHNOLOGY CO.,LTD.	
REV.	ECN NO.	DESCRIPTION	DATE	REV. A	FINISH:			