

NO	DESCRIPTION
1	GND
2	MIC
3	RT
4	LET
5	DETECT

A

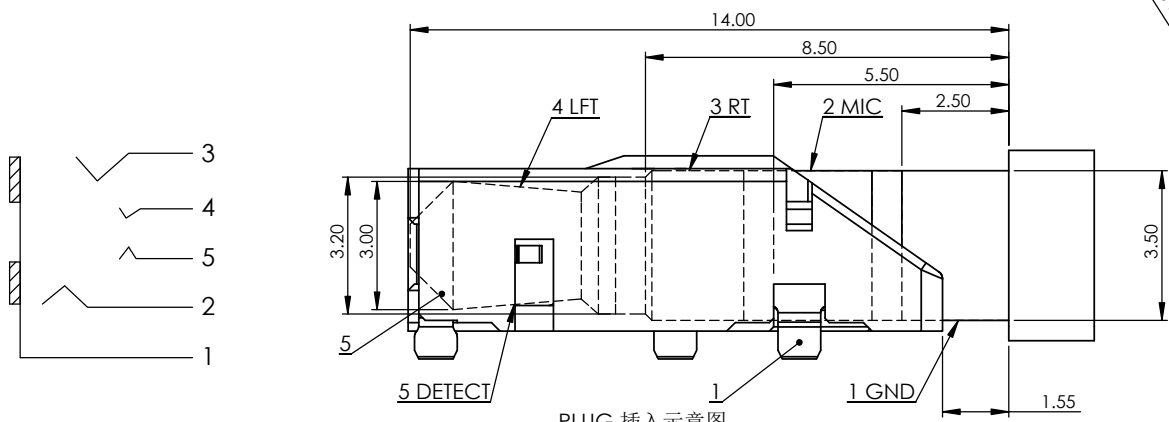
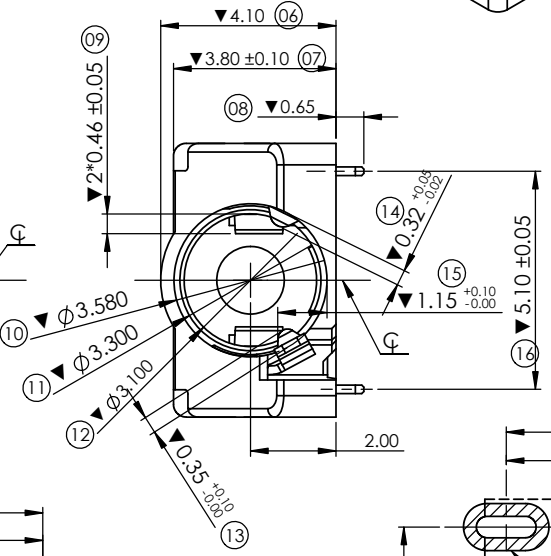
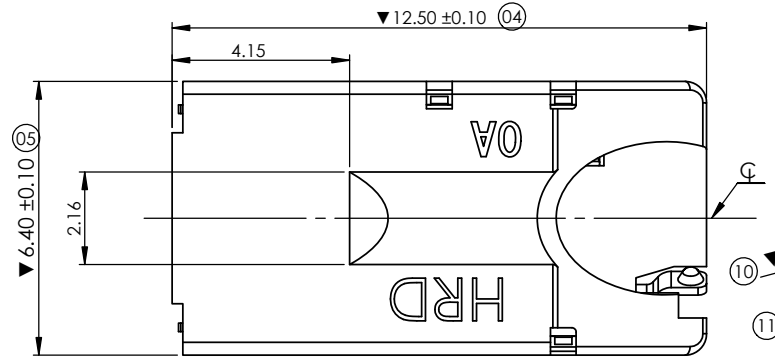
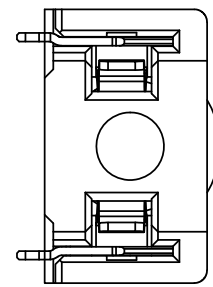
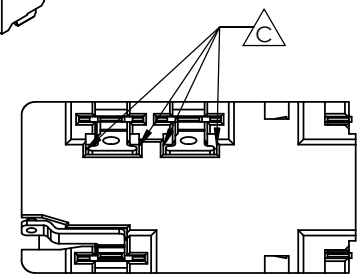
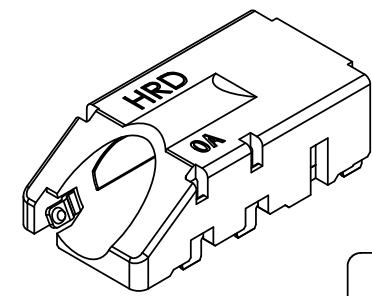
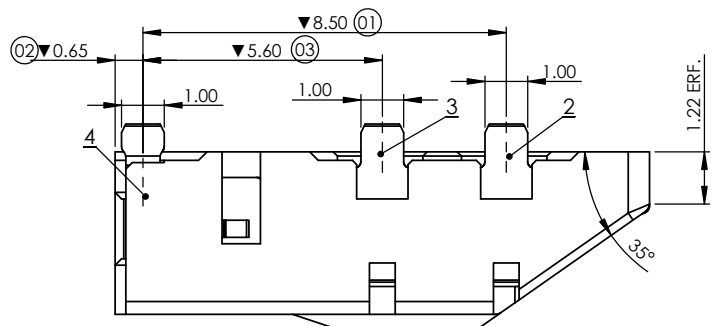
B

C

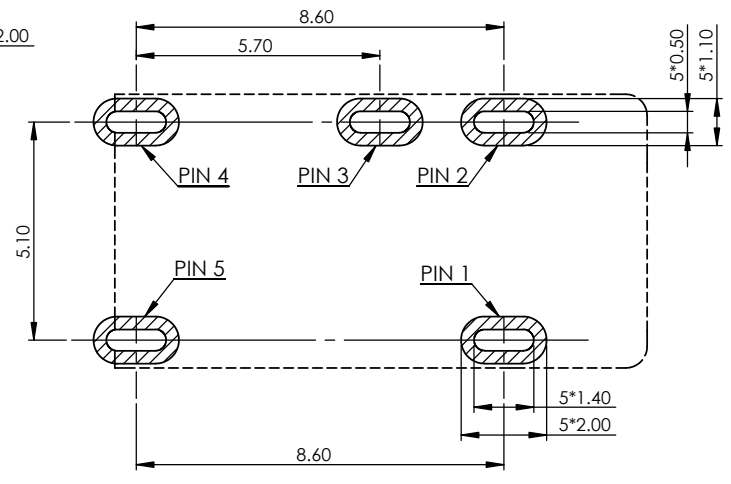
D

E

F



PLUG 插入示意图



P.C.B LAYOUT (TOLERANCE:±0.05)

NOTES:  
 1.MATERIAL:  
 BODY:PA 9T,BLACK,UL 94V-0  
 TERMINAL:COPPER ALLOY,T=0.20mm  
 2.FINISH:  
 TERMINA:50u" MIN Ni UNDER PLATING OVER ALL  
 1U" MIN AU UNDER PLATING OVER ALL  
 3.ALL DIMENSIONS MARKED ▼ MUST BE CONTROLLED BY QC  
 4.ALL DIMENSIONS MARKER (XX) MUST BE MEASURE BY FAI.

REV.	ECN NO.	DESCRIPTION	DATE	UNITS: mm	GENERAL TOLERANCE	DRAW:	PART NO:
C	E1604138A	2#/3#端子增加限位结构	04/19/2016	DATE: 01/18/2016	X. ±0.20 .X ±0.15 .XX ±0.10 .XXX ±0.05	X.' ±2.00' .X' ±1.00' .XX' ±0.50'	PH20-0A38F38D
B	E1604128A	2#/3#端子弹高变更	04/16/2016	SCALE: 8 / 1		CHECKED:	TITLE: Ø3.5MM PHONE JACK CONN. 板上直插型·H=3.80mm
A		NEW	01/18/2016	SHEET: 1 / 1	MATERIAL:	APPROVE:	DRAWING NO:
				REV. A	FINISH: SEE NOTE		



昆山捷皇电子精密科技有限公司  
 HONGRIDA ELECTRONIC TECHNOLOGY CO., LTD.

A

B

C

D

E

F