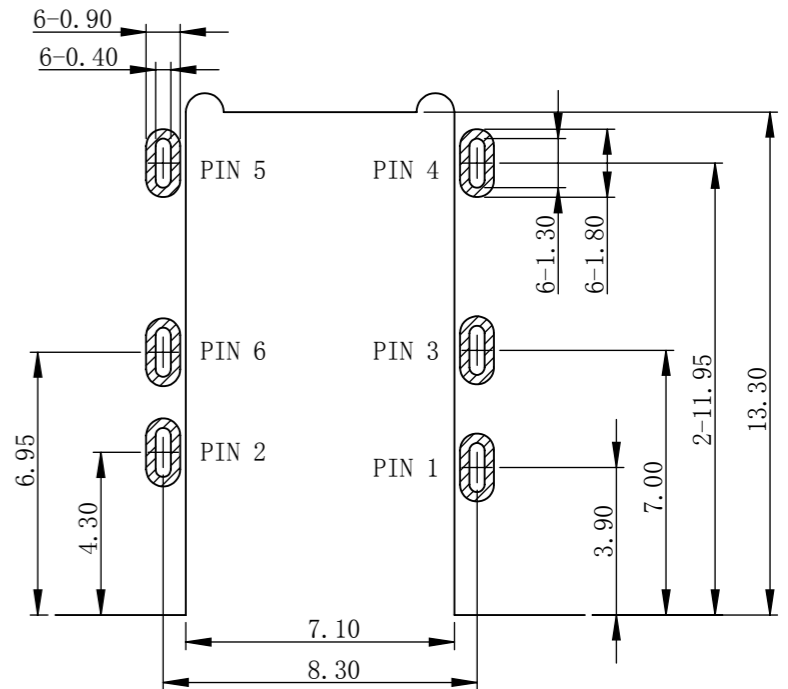
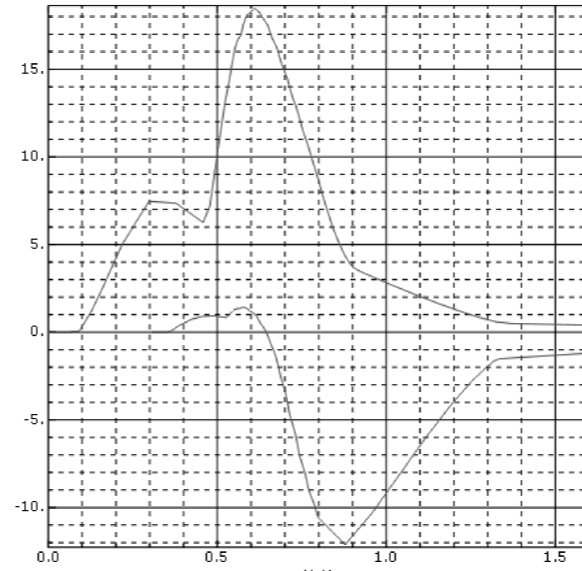
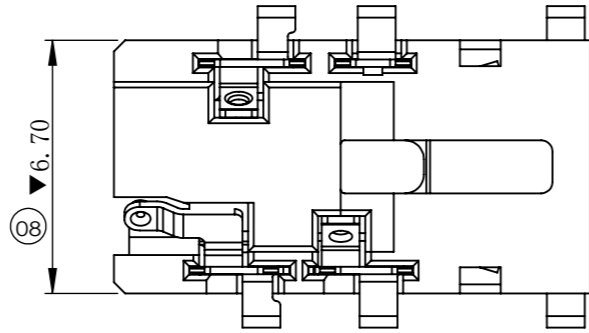


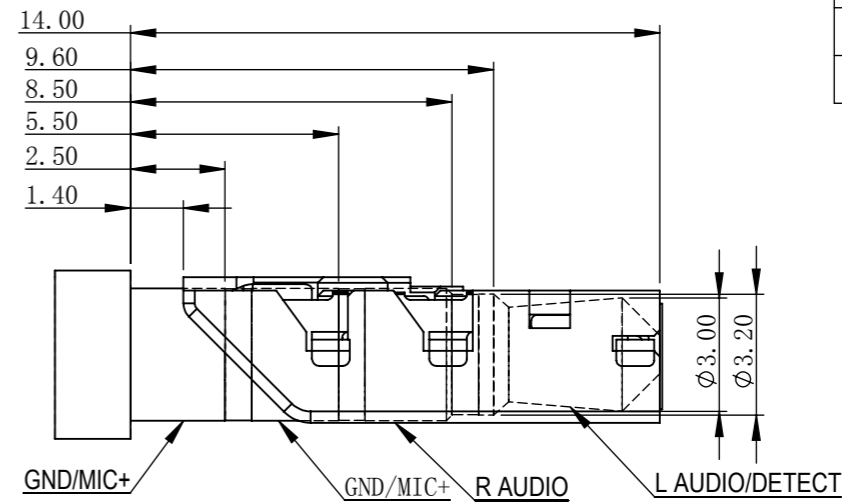
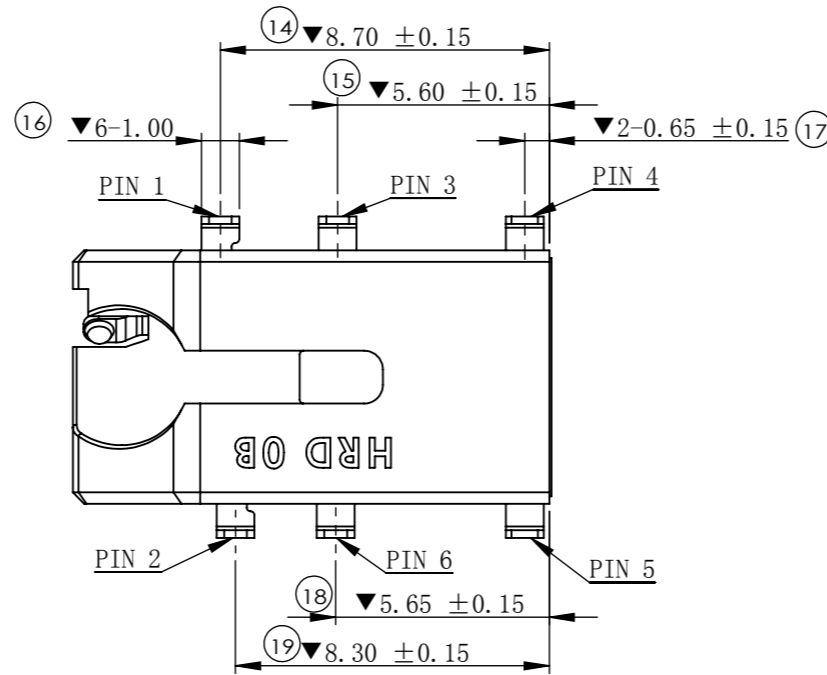
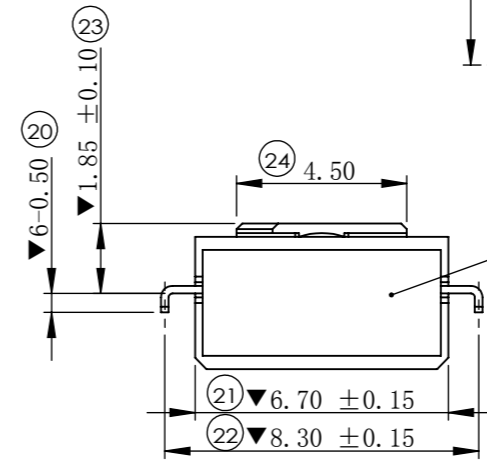
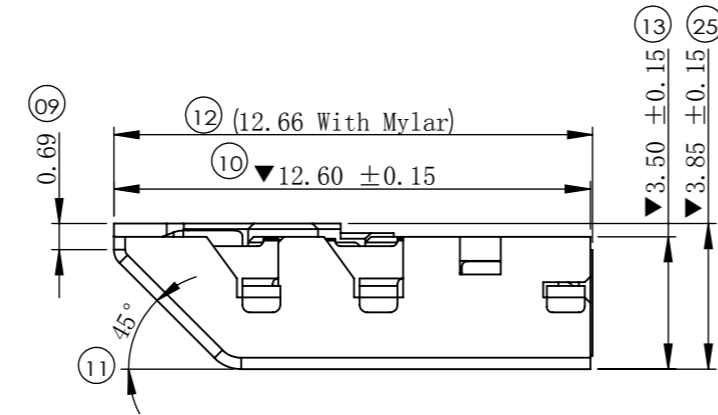
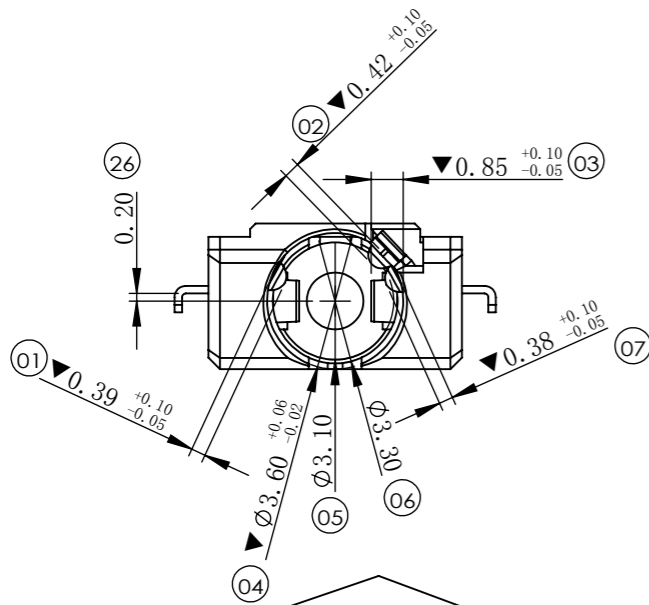
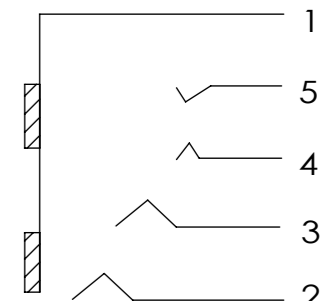
8	MYLAR	PET T=0.06	YELLOW	
7	HOUSING	PA9T	BLACK	
6	TERMNAL 6	COPPER ALLOY	—	AU 15u" Plating on contact Aeea
5	TERMNAL 5	SUS 304	—	AU 15u" Plating on contact Aeea
4	TERMNAL 4	SUS 304	—	AU 15u" Plating on contact Aeea
3	TERMNAL 3	COPPER ALLOY	—	AU 15u" Plating on contact Aeea
2	TERMNAL 2	COPPER ALLOY	—	AU 15u" Plating on contact Aeea
1	TERMNAL 1	COPPER ALLOY	—	AU 15u" Plating on contact Aeea
NO.	DESCRIPTION	MATERIAL	COLOR	REMARK



PCB LAYOUT T=0.50mm (TOLERANCE:0.05mm)

MYLAR (6.3*2.8*0.06mm)

NO.	DESCRIPTION
1	GND / MIC+
2	MIC+ / GND
3	R AUDIO
4	L AUDIO / DETECT
5	DETECT / L AUDIO
6	N/A



PRODUCT APPLICATION:
THE SPRING WORKING POSITION WHEN PLUG IN

NOTES:

- MATERIAL:
HOUSING:PA 9T, BLACK, UL 94HB
TERMINAL:SEE TABLE
- FINISH:
CONTACT:AU 15u" PLATING ON CONTACT AREA
G/F PLATING ON SOLDER TAILS AREA
- ALL DIMENSIONS MARKED ▼ MUST BE CONTROLLED BY QC
- PRODUCT SPECIFICATIONS:
4-1 WITHSTANDING: 500VAC/MINUTE
4-2 CONTACT RESISTANCE: 50 MILLIOHM (initial) Max.
4-3 INSULATION RESISTANCE: 100 MEGOHM Min.
4-4 MATING FORCE : 1.0-2.0 Kgf Max.
4-5 UNMATING FORCE : 0.5-2.0 Kgf Max.
4-6 OPERATION TEMPERATURE : -25° TO +85°
4-7 STORAGE TEMPERATURE: -25° TO +85°
4-8 DURABILITY : 5000 CYCLES

				UNITS: mm	GENERAL TOLERANCE		DRAW:	PART NO: PH96-OB18C39A
				DATE: 06/12/2016	X. ±0.20	X. ±2.00°	CHECKED:	TITLE: φ3.50MM PHONE JACK CONN.
				SCALE: 5/1	.X ±0.15	.X ±1.00°	APPROVE:	DRAWING NO:
					.XX ±0.10	.XX ±0.50°		
					.XXX ±0.05			
A		NEW	07/01/2017	SHEET: 1/2	MATERIAL:			昆山捷皇电子精密科技有限公司 HONGRIDA ELECTRONIC TECHNOLOGY CO.,LTD.
REV.	ECN NO.	DESCRIPTION	DATE	REV. A	FINISH: SEE NOTE			