

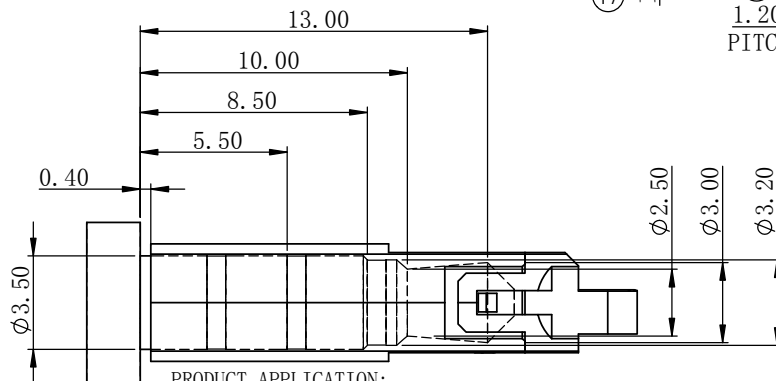
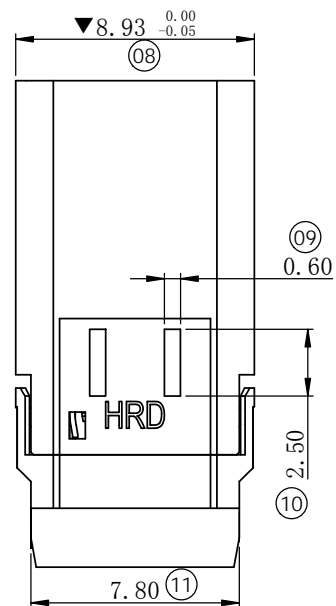
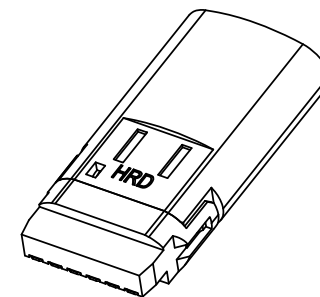
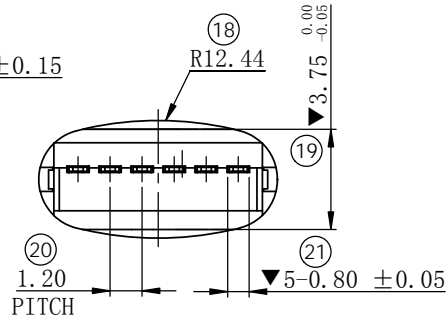
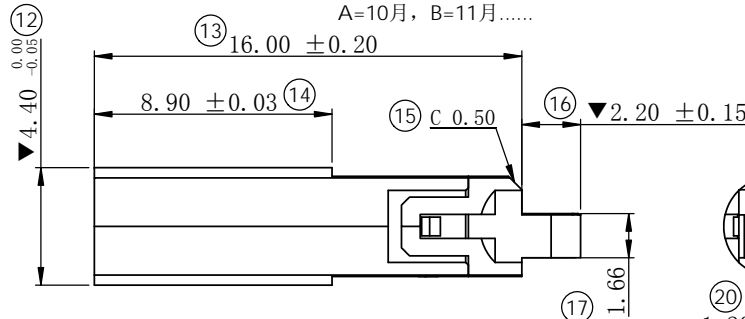
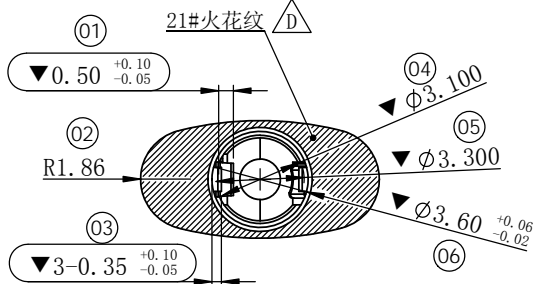
NOTES:

- MATERIAL:
HOUSING: PA9T, GREY, UL 94V-0
TERMINAL: SEE TABLE
- FINISH:
CONTACT: 50u" MIN NI UNDERPLATED OVERALL,
5u" AU ON CONTACT AREA (SEE TABLE)
TIN PLATED 100u" MIN ON SOLDER AREA
- ALL DIMENSIONS MARKED ▼ MUST BE CONTROLLED BY QC
- PRODUCT SPECIFICATIONS:
4-1 WITHSTANDING: 500VAC/MINUTE
4-2 CONTACT RESISTANCE: 50 MILLIOHM (initial) Max.
4-3 INSULATION RESISTANCE: 100 MEGOHM Min.
4-6 OPERATION TEMPERATURE: -25° TO +85°
4-7 STORAGE TEMPERATURE: -25° TO +85°

D/C PART NO.:

H=HRD
 电镀: A=Au 5U"
 B=Au 15U"
 年: 7=2017年
 8=2018年
 9=2019年.....

线别: A=A线、B=B线.....
 班别: 1=白班
 2=夜班
 日: 1=1日, 2=2日.....
 A=10日, B=11日.....
 (WITH OUT I、O、Z)
 月: 1=1月, 2=2月.....
 A=10月, B=11月.....



PRODUCT APPLICATION:
 THE SPRING WORKING POSITION WHEN PLUG IN

NO.	DESCRIPTION	MATERIAL	COLOR	REMARK
9	INSERT-M	PA46	BLACK	N/A
8	COVER	PA9T	GREY	N/A
7	HSG	PA9T	GREY	不许添加次料
6	DET 2	C5210-H T=0.2mm	N/A	AU 5u" Plating on contact Area
5	DET 1	C5210-H T=0.2mm	N/A	AU 1u" Plating on contact Area
4	L CONTACT	Y-CUT-EH T=0.2mm	N/A	AU 5u" Plating on contact Area
3	R CONTACT	C5210-H T=0.2mm	N/A	AU 5u" Plating on contact Area
2	GND CONTACT	C5210-H T=0.2mm	N/A	AU 5u" Plating on contact Area
1	MIC CONTACT	C5210-H T=0.2mm	N/A	AU 5u" Plating on contact Area

REV.	ECN NO.	DESCRIPTION	DATE	UNITS: mm	GENERAL TOLERANCE	DRAW:	PART NO:
D	E1709331A	塑胶前端面改火花纹	2017/09/20	DATE: 09/28/2016	X. ±0.20 .X ±0.15 .XX ±0.10 .XXX ±0.05	CHECKED:	PH63-0B060005SD
C	E1707206A	增加D/C	2017/7/14	SCALE: 5/1	X.' ±2.00 .X' ±1.00 .XX' ±0.50	APPROVE:	TITLE: φ3.50MM PHONE JACK CONN.
B	E1612559A	增加焊脚长度	2017/1/16	SHEET: 1/2	MATERIAL:		DRAWING NO:
REV. A					FINISH: SEE NOTE		



昆山捷皇电子精密科技有限公司
 HONGRIDA ELECTRONIC TECHNOLOGY CO., LTD.