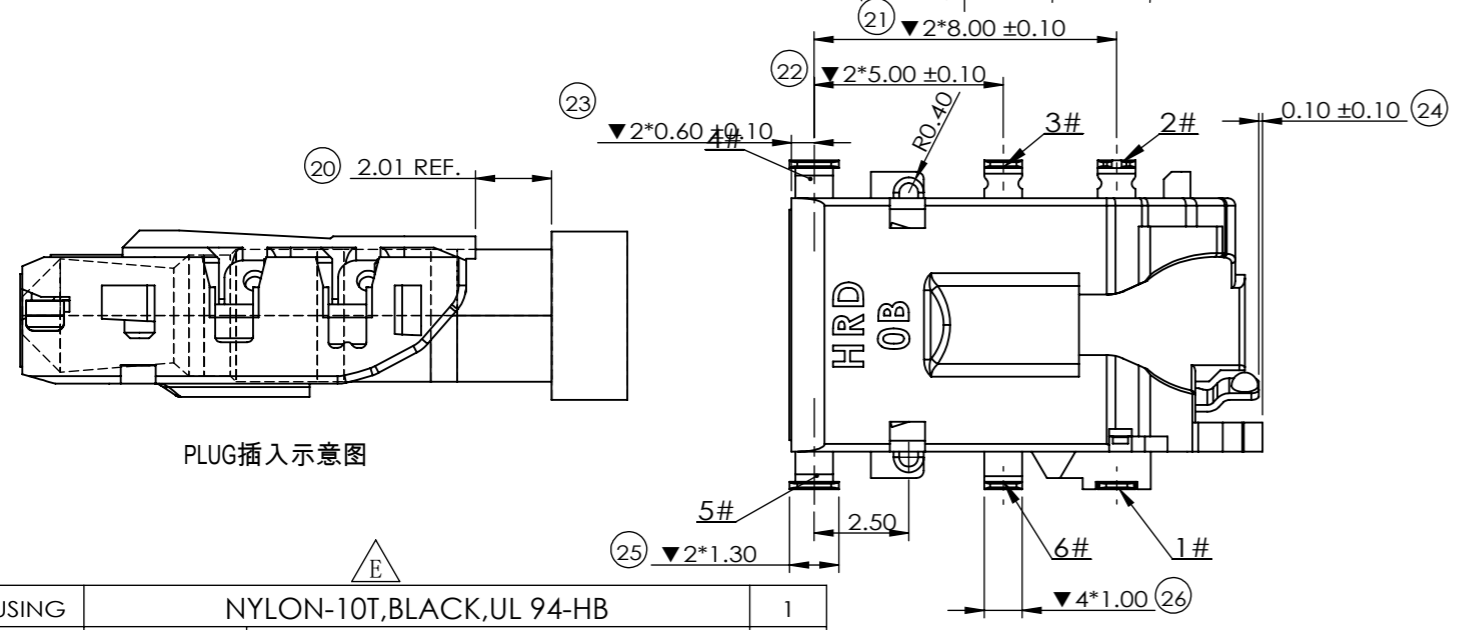
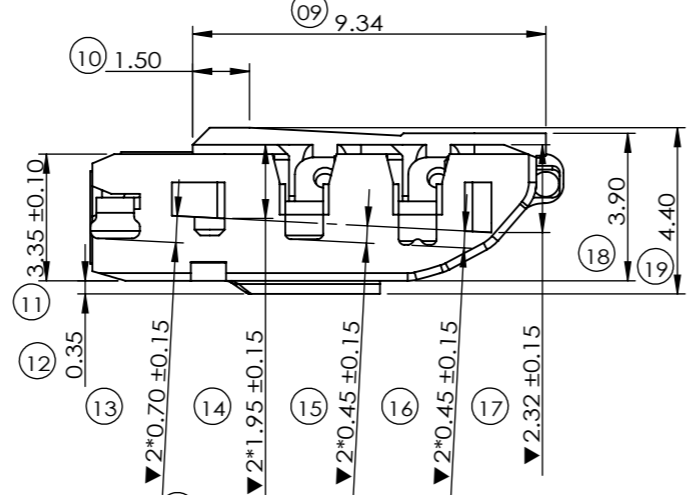
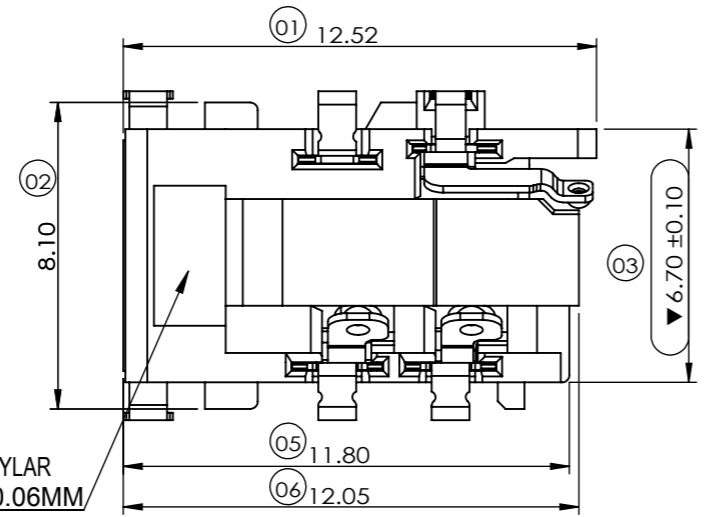
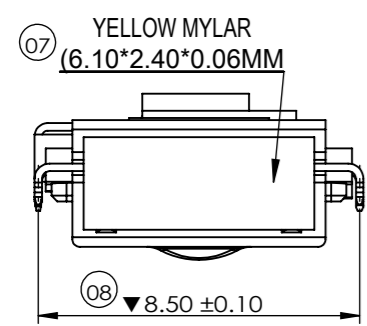
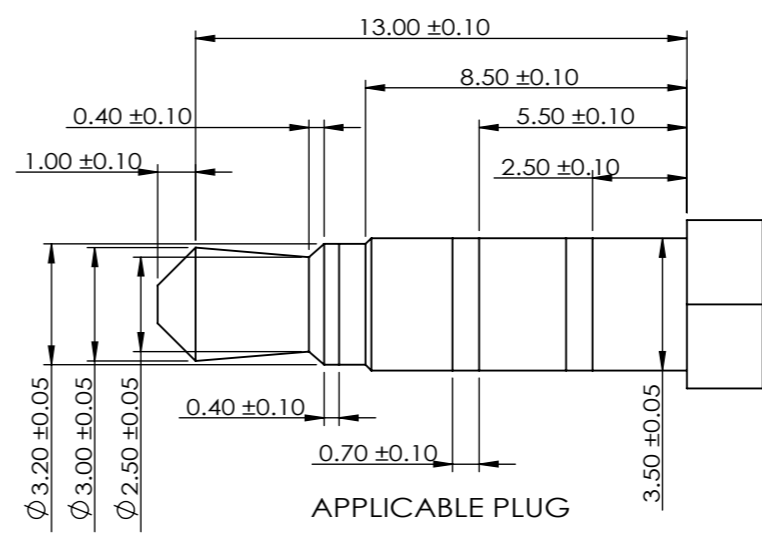


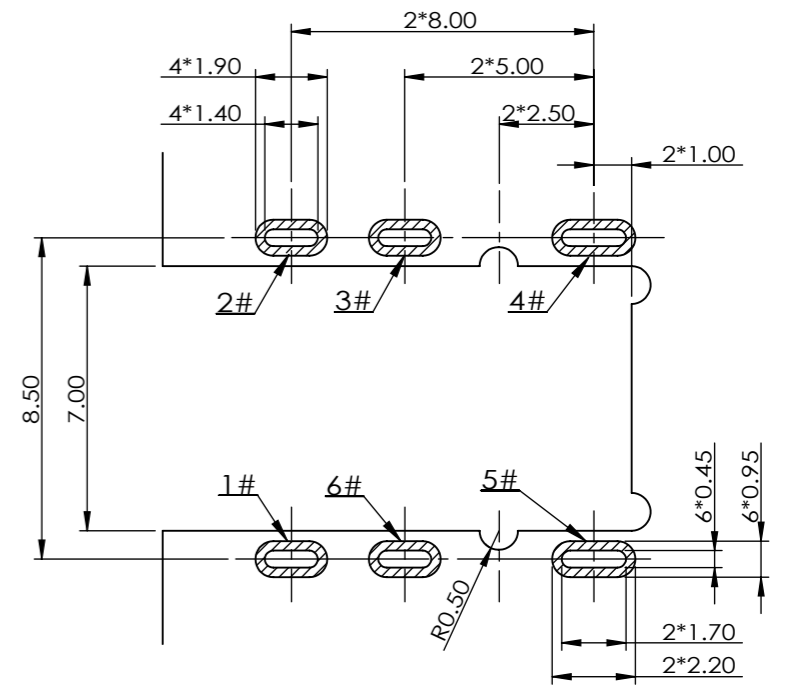
YELLOW MYLAR  
(3.70\*1.90\*0.06MM)



PLUG插入示意图



APPLICABLE PLUG



RECOMMENDED PCB LAYOUT TOLERANCE: ±0.05  
THICKNESS=0.60mm

- NOTES:
- MATERIAL: E  
HOUSING: NYLON-10T, BLACK, UL 94-HB  
TERMINAL: COPPER ALLOY OR STAINLESS STEEL
  - FINISH:  
CONTACT: 15u' Min Au PLATED ON CONTACT  
3u' Min Au PLATED ON SOLDER TAILS AREA  
50u' Min Ni UNDER PLATED OVER ALL
  - ALL DIMENSIONS MARKED XX MUST BE MEASURED BY FAI
  - PRODUCT SPECIFICATIONS:  
4-1 WITHSTANDING: 500VAC/MINUTE  
4-2 CONTACT RESISTANCE: 50 MILLIOHM (initial) Max.  
4-3 INSULATION RESISTANCE: 100 MEGOHM Min.  
4-4 MATING FORCE: 5-20 N (BTFORE DURABILITY)  
4-20 N (AFTER DURABILITY)  
4-5 UNMATING FORCE: 5-20 N (BTFORE DURABILITY)  
4-20 N (AFTER DURABILITY)  
4-6 OPERATION TEMPERATURE: -25° TO +85°  
4-7 STORAGE TEMPERATURE: -25° TO +85°  
4-8 DURABILITY: 5000 CYCLES

HOUSING	NYLON-10T, BLACK, UL 94-HB		1
Mylar	KAPTON T=0.06mm	/	1
6# RESERVED	SUS304-3/4H T=0.20mm	50U' Min Ni UNDER PLATED OVER ALL 3U' MIN AU ON SOLDER AREA	1
5# DETECT	SUS304-3/4H T=0.20mm	50U' Min Ni UNDER PLATED OVER ALL 15U' MIN AU ON CONTACT AREA 3U' MIN AU ON SOLDER AREA	1
4# L AUDIO	C5210-H T=0.20mm		1
3# R AUDIO	C5210-H T=0.20mm		1
2# MIC	C5210-EH T=0.20mm		1
1# GND	C5210-EH T=0.20mm		1
NAME	MATERIAL	FINISH	Q'TY

REV.	ECN NO.	DESCRIPTION	DATE	UNITS: mm	GENERAL TOLERANCE	DRAW:	PART NO:
E	E1812584A	修改塑胶材质	12/29/2018	DATE: 08/24/2018	X. ±0.25 .X ±0.15 .XX ±0.10 .XXX ±0.05	X.° ±2.00° .X.° ±1.00° .XX.° ±0.50°	PH133-0B16C44M
D	E1811496A	4# 5#端子锡脚加宽 0.30mm加长0.10mm	11/17/2018	SCALE: 5 / 1		CHECKED:	NAME: Ø3.50MM PHONE JACK CONN.
C	E1810452A	4# 5#端子加长锡脚	10/11/2018	SHEET: 1/1	TITLE: CUSTOMER FIGURE	APPROVE:	DRAWING NO: C-PH133-0000
REV.	ECN NO.	DESCRIPTION	DATE	REV. A	FINISH: SEE NOTE		


**鸿日达科技股份有限公司**  
 HONGRIDA ELECTRONIC TECHNOLOGY CO., LTD.