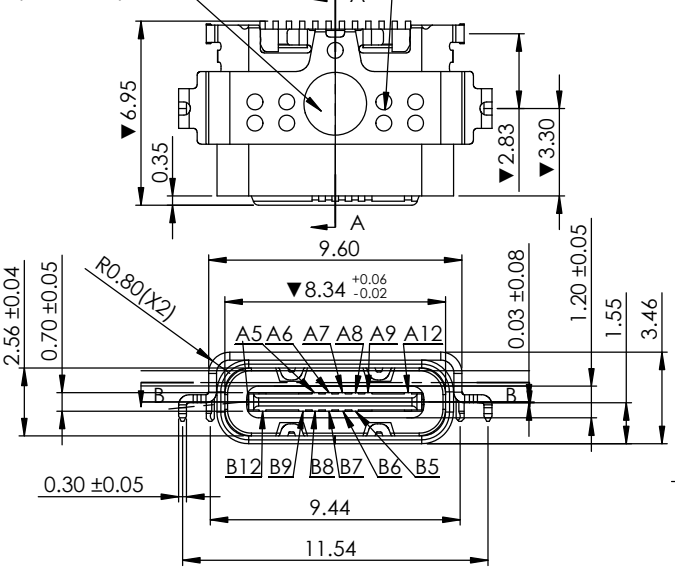
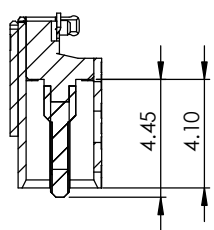


HF ROHS

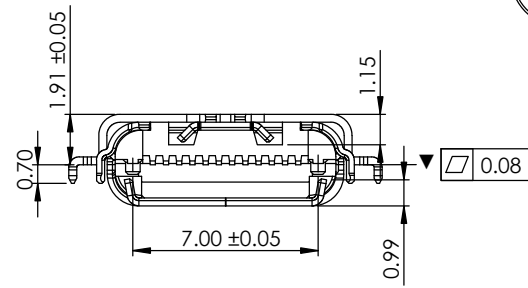
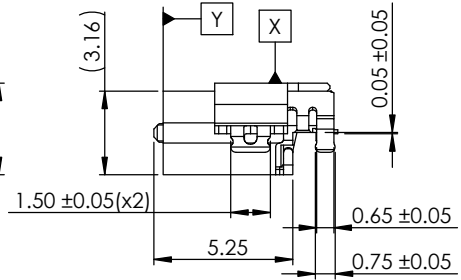
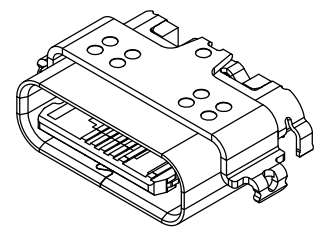
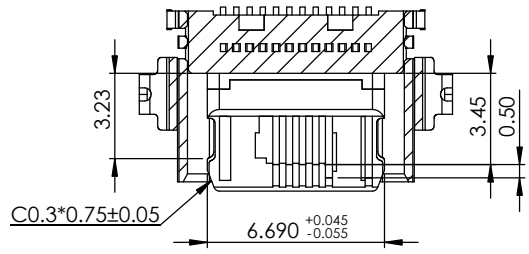
PICK UP AREA (Ø3.0 REF)  
LASER WELDING POINTS(X8)



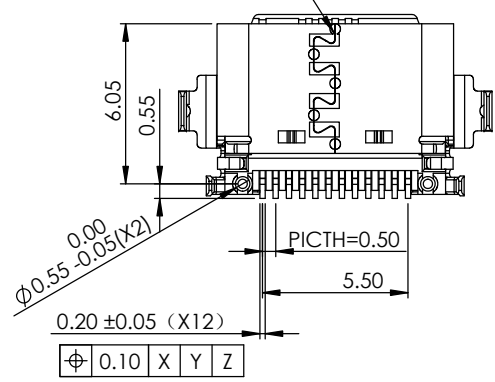
A-A



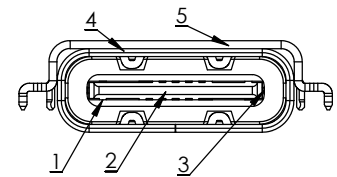
B-B



LASER WELDING POINTS(X3)



- NOTES:
- MATERIAL SEE TABLE MATERIAL LIST
  - ELECTRICAL PERFORMANCES:
    - RATED CURRENT: 3A Max.(A9/A12,B9/B12) 1A Max.FOR OTHER CONTACTS.
    - CONTACT RESISTANCE: 40 MILLI OHMS MAX INITIAL;
    - INSULATION RESISTANCE: 100 MEGA OHMS MIN;
    - DIELECTRIC WITHSTANDING VOLTAGE: 100VAC FOR 1 MINUTE MIN;
    - RATED VOLTAGE: 20V DC;
  - MECHANICAL PERFORMANCES:
    - DURABILITY:10000 CYCLES
    - INSERTION FORCE ≤20N WITHDRAWAL FORCE:8~20N
    - OPERATION TEMPERATURE:-40° TO +85°;
  - CRITICAL DIMENSION;
  - ALL DIMENSION ARE IN MILLIMETERS;
  - RoHS2.0 AND HF AND REACH COMPLIANT



ITEM	NAME	QTY	MATERIAC	FINISH
5	SHELL 2	1	SUS304-1/2H T=0.30	OVER ALL:50u-120" Ni UNDERPLATED SOLDER TAIL:1u"Min Au PLATED
4	SHELL 1	1	SUS304-1/2H T=0.30	50-120u" Ni
3	GND	1	SUS301-H T=0.20	N/A
2	MOLDING	1	PA46 UL94V-0	N/A
1	CONTACT	12	C7025-TM03 T=0.15	50-120u" NICKEL UNDERPLATING OVERALL GOLD PLATING 15u"MIN. AT CONTACT AREA AND GLOD FLASH AT SOLDER AREA

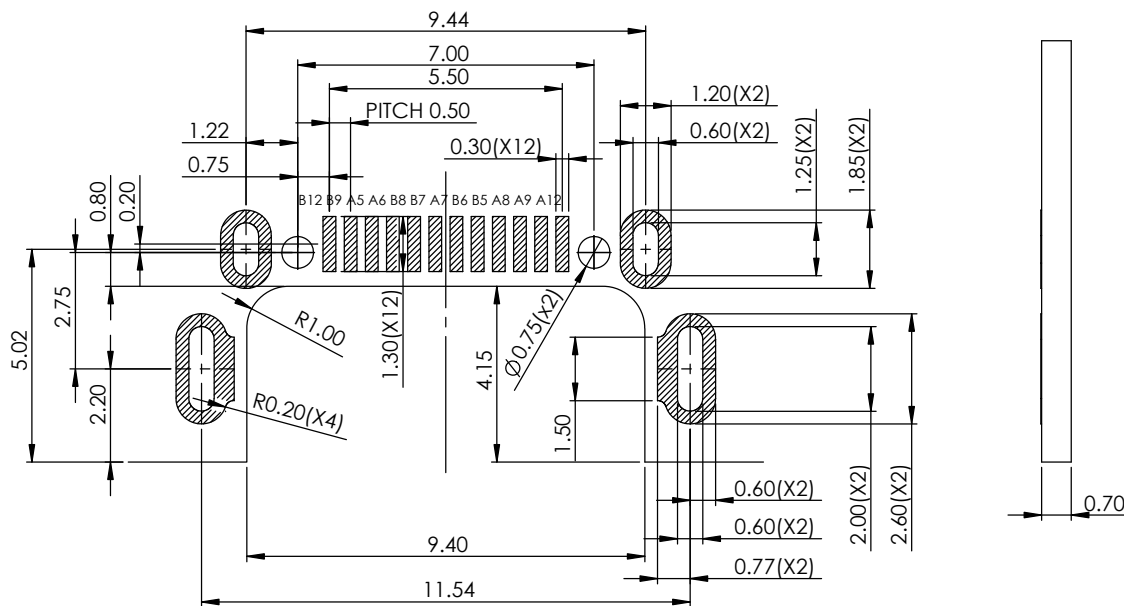
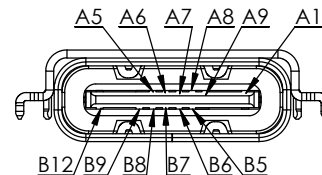
REV.	ECN NO.	DESCRIPTION	DATE	REV.	FINISH:		
A		NEW	08/12/2020	A	SEE NOTE		

UNITS: mm	GENERAL TOLERANCE	DRAW: Martin	PART NO: UC20-0B0002R3
DATE: 07/17/2020	X. ±0.20 X' ±2.00	CHECKED:	TITLE: TYPE C 2.0 REC 12pin MID MOUNT TYPE
SCALE: 5/1	.X ±0.15 .X' ±1.00	APPROVE: AIR	DRAWING NO: C-UC20-00-03
SHEET: 1/2	.XX ±0.10 .XX' ±0.50		
	.XXX ±0.05		

鸿日达科技股份有限公司  
HONGRIDA ELECTRONIC TECHNOLOGY CO., LTD.

Pin Assignments

Pin	Signal Name	Description	Mating Sequence	Pin	Signal Name	Description	Mating Sequence
				B12	GND	Ground return	First
				B9	VBUS	Bus Power	First
A5	CC1	Configuration Channel	Second	B8	SBU2	Sideband Use (SBU)	Second
A6	Dp1	Positive half of the USB 2.0 differential pair - Position 1	Second	B7	Dn2	Negative half of the USB 2.0 differential pair - Position 2	Second
A7	Dn1	Negative half of the USB 2.0 differential pair - Position 1	Second	B6	Dp2	Positive half of the USB 2.0 differential pair - Position 2	Second
A8	SBU1	Sideband Use (SBU)	Second	B5	CC2	Configuration Channel	Second
A9	VBUS	Bus Power	First				
A12	GND	Ground return	First				



RECOMMENDED PCB LAYOUT (TOP VIEW)  
(TOLARANCE:±0.05)

CONNECTOR NUMBER CODE

UC20- 0 X 000 X R 3  
1 2 3 4 5

1:PRODUCT DESCRIPTION:  
UC20:USB 2.0 TYPE C REC MIDDLE MOUNT TYPE

2:PRODUCT TYPE  
0:SMT TYPE

3:COLOUR OF HOUSING  
B:BLACK  
W:WHITE

4:CENTER HIGH  
000:CH=-0.00mm

5:CONTACT PLATING  
F: GOLD FLASH ON CONTACT AREA  
1: Au 5u" ON CONTACT AREA  
2: Au 15u" ON CONTACT AREA  
3: Au 30u" ON CONTACT AREA

				UNITS: mm	GENERAL TOLERANCE		DRAW: Martin	PART NO: UC20-0B0002R3
				DATE: 07/17/2020	X. ±0.20	X." ±2.00"	CHECKED: ~	TITLE: TYPE C 2.0 REC 12pin MID MOUNT TYPE
				SCALE: 8 / 1	.X ±0.15	.X" ±1.00"	APPROVE: AIR	DRAWING NO: C-UC20-00-03
				SHEET: 2 / 2	.XX ±0.10	.XX" ±0.50"		
				REV. A	.XXX ±0.05			
REV.	ECN NO.	DESCRIPTION	DATE		MATERIAL:		鸿日达科技股份有限公司 HONGRIDA ELECTRONIC TECHNOLOGY CO., LTD.	
					FINISH: SEE NOTE			