

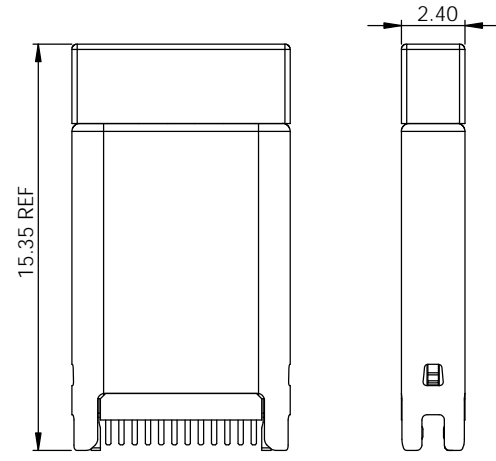
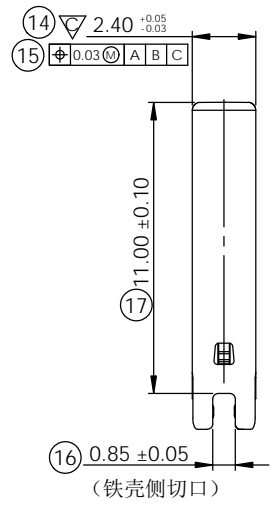
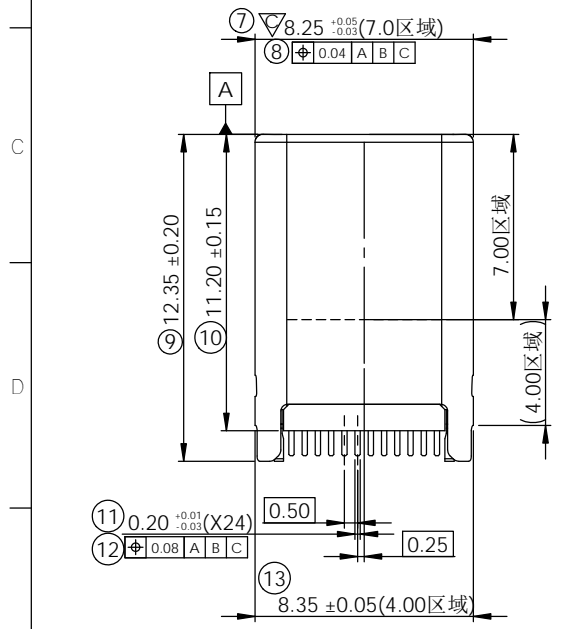
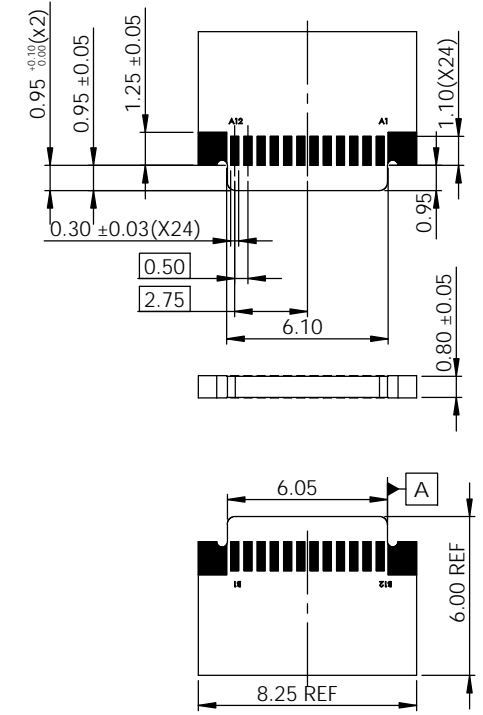
CONNECTOR NUMBER CODE

UC35 - 0 X 112 3 R 0
 1 2 3 4 5

- 1.PRODUCT DESCRIPTION:
UC35:USB 3.0 TYPE C PLUG DRAWN SHELL TYPE
- 2.PRODUCT TYPE
0:SMT TYPE
- 3.COLOUR OF HOUSING
B:BLACK
W:WHITE
- 4.PRODUCT LENGTH
L:11.20mm
- 5.CONTACT PLATING
3: CONTACT AREA: Au 30u"
SOLDER AREA: Sn 100-200u"
UNDER PLATED : Ni 80u"

PIN ASSIGNMENT											
A12	A11	A10	A9	A8	A7	A6	A5	A4	A3	A2	A1
GND	RX2+	RX2-	VBUS	SBU1	D-	D+	CC	VBUS	TX1-	TX1+	GND
GND	TX2+	TX2-	VBUS	VCONN	D+	D-	SBU2	VBUS	RX1-	RX1+	GND
B1	B2	B3	B4	B5	B6	B7	B8	B9	B10	B11	B12

APPLICABLE PCB DIMENSION(REF)



- NOTES:
- 1.0. ELECTRICAL CHARACTERISTICS
 - 1.1. LOW LEVEL CONTACT RESISTANCE:
40m ohm MAX FOR ALL CONTACT
50m ohm MAX. AFTER ENVIRONMENT TEST
 - 1.2. DIELECTRIC WITHSTANDING VOLTAGE:
100 VAC FOR ONE MINUTE SEA LEVEL.
 - 1.3. INSULATION RESISTANCE: 100 MOHMINIMUM.
 - 1.4. CURRENT RATING:
VBUS AND GND CONTACTS RATED AT 1.25A EA.
PARALLELED FOR A TOTAL OF 5A.
 - 1.5. INSERTION FORCE: 20N MAXIMUM.
 - 1.6. EXTRACTION FORCE: AFTER DURABILITY
1-1000 CYCLES 8N MINIMUM. 20N MAXIMUM.
1001-10000CYCLES 6N MINIMUM. 20N MAXIMUM.
 - 1.7. DURABILITY: 10,000 CYCLES.
 - 1.8. OPERATING TEMPERATURE: -55°C TO +85°C
 - 1.9. THIS PLUG IS DESIGNED TO COMPLY
WITH USB TYPE C SPECIFICATION

5	SHELL	1	STAINLELL STEEL /Ni PLATED
4	MOLDING	1	PLASTIC /UL94V-0
3	LATCH	1	STAINLELL STEEL / Ni PLATED
2	HOUSING	1	PLASTIC / UL94V-0
1	CONTACT	24	COPPER ALLOY /Au PLATED
ITEM	NAME	Q'TY	MATERIAC/FINISH

UNITS: mm	GENERAL TOLERANCE		DRAW: LB	PART NO: UC35-0X112XR0
DATE: 11/28/2018	X. ±0.20 .X ±0.15 .XX ±0.10 .XXX ±0.05	X.' ±2.00 'X' ±1.00 'XX' ±0.50	CHECKED: /	TITLE: TYPE C PLUG CUSTOMER DRAWING
SCALE: 5 / 1			APPROVE: FYI	DRAWING NO: C-UC35-00-02

A	---	NEW	06/10/2019
REV.	ECN NO.	DESCRIPTION	DATE

SHEET: 1 / 1 MATERIAL: UC35 TYPE C PLUG 24PIN L11.2

REV: A FINISH: SEE NOTE

鸿日达科技股份有限公司
HONGRIDA ELECTRONIC TECHNOLOGY CO., LTD.