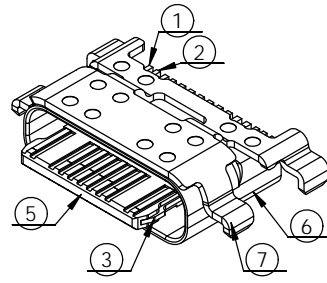


For all contact tails before&after IR

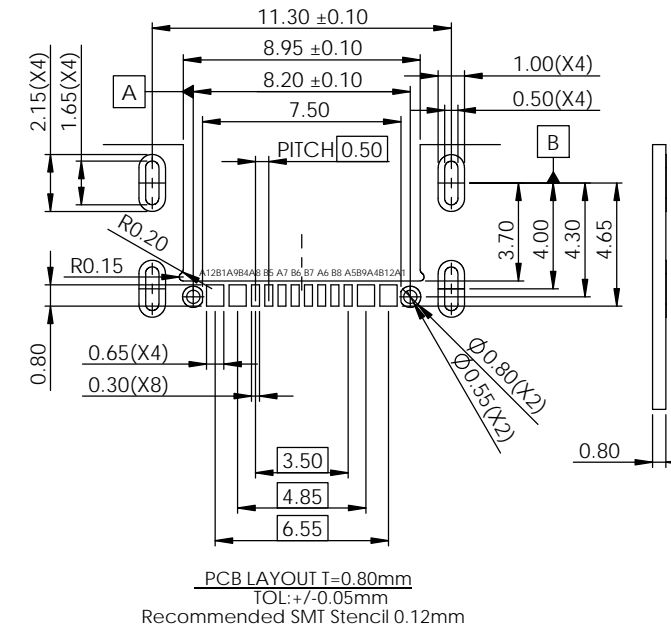
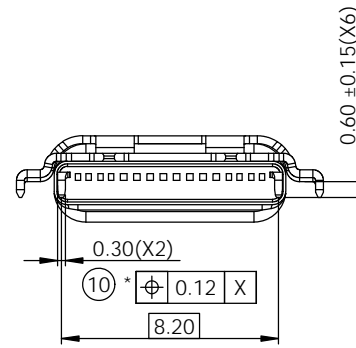
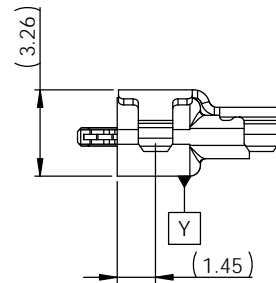
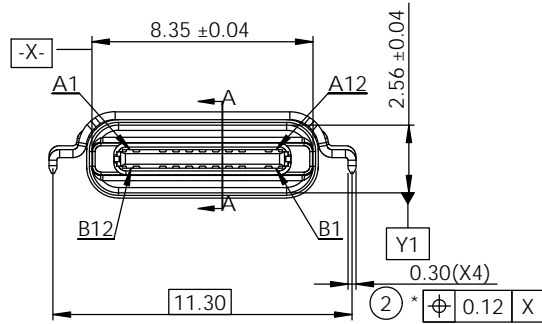
⑨ *	▽ 0.08	IR前
	▽ 0.10	IR后



REV	Q'TY	ECN. NO.	APR	DATE
A		NEW	Martin	2020/05/19

NOTES:  
 1. ELECTRICAL CHARACTERISTICS:  
 1.1 CONTACT CURRENT RATING:10A  
 1.2 CONTACT RATED VOLTGE:30VDC;  
 1.3 CONTACT RESISTANCE:  
 INITIAL: 30mohm Max. AFTER:  $\Delta < 10\text{mohm}$   
 1.4 INSULATION RESISTANCE:1000Mohm Min;  
 1.5 WITHSTANDING STRENGTH:500VDC FOR 1 MINUTE;  
 2. MECHANICAL CHARACTERISTICS:  
 2.1 INSERTION FORCE:INITIAL 6-20N ; AFTER 5-20N;  
 2.2 EXTRACTION FORCE:INITIAL 8-20N; AFTER 6-20N;  
 2.3 DURABILITY:10K CYCLES  
 3. DIMENSIONS MARKED WITHMUST \* BE IMPORTANT MEASURED BY IPOC  
 4. RoHS OR HF COMPLIANT  
 5. Waterproof grade: IPX7  
 6. P/N:UC40-0B0104R0  
 7. D/C ANNOTATION  
 H X X \*\*\*\*\*

第一位: 年 0-9 ; 2018 数字为8  
 第二位: 月 1-9&A&B&C; A是10月; B是11月; C是12月  
 第三位: 日 1-9号; A 10号; B 11号; C 12号; D 13号; E 14号; F 15号; G 16号; H 17号; J 18号; K 19号; L 20号; M 21号; N 22号; P 23号; Q 24号; R 25号; S 26号; T 27号; U 28号; V 29号; W 30号; X31号。  
 第四位: 线别 1-9 第几条线  
 第五位: 班别 B 白班 Y 夜班  
 空格  
 电镀规格: 规格1 (金 15u" 以下): "A"  
 规格2 (金 15u" ): "B"  
 规格3 (金 30u" ): "C"  
 规格4 (钎焊): "P"  
 规格5 (铆钉): "R"  
 H=HRD



PIN ASSIGNMENT											
A1	A2	A3	A4	A5	A6	A7	A8	A9	A10	A11	A12
GND	\	\	VBUS	CC1	Dp1	Dn1	SBU1	VBUS	\	\	GND
GND	\	\	VBUS	SBU2	Dn2	Dp2	CC2	VBUS	\	\	GND
B12	B11	B10	B9	B8	B7	B6	B5	B4	B3	B2	B1
9	GLUE		1	SILICONE				UL94V-0			
8	FIXED STEEL		1	SUS301-H T=0.10mm				CLEAN			
7	OUTER SHELL		1	SUS304-1/2H T=0.30mm				OVER ALL:50u"Min Ni UNDERPLATED SOLDER TAIL:1u"Min Au PLATED			
6	MAIN SHELL		1	SUS316L T=0.20mm				CLEAN			
5	MOLDING 2		1	PA46 - X33S BLACK				UL94V-0 / HF 禁止添加次料			
4	MOLDING 1		1	PA46 - X33S BLACK				UL94V-0 / HF 禁止添加次料			
3	GROUND PLATE		1	SUS301-EH T=0.20mm				OVER ALL:50u"Min Ni PLATED			
2	BOTTOM CONTACT		1	C18400-R480 T=0.25mm				CONTACT AREA: 30u"Pd/Ni Min+5u"Au Min SOLDER TAIL: 3u"Au/Min OVER ALL: 50u"Ni UNDERPLATED			
1	TOP CONTACT		1	C18400-R480 T=0.25mm				OVER ALL: 50u"Ni UNDERPLATED			
ITEM	NAME		Q'TY	MATERIAC				FINISH			

UNITS: mm	GENERAL TOLERANCE	DRAW: Martin	PART NO: UC40-0B0104R0
DATE: 05/19/2020	X. ±0.20 .X ±0.15 .XX ±0.10 .XXX ±0.05	CHECKED:	NAME: TYPE C REC CH=0.1 MID MOUNT TYPE
SCALE: 5 / 1	X.* ±2.00 .X.* ±1.00 .XX.* ±0.50	APPROVE:	DRAWING NO: C-UC40-01-00
SHEET: 1 / 1	TITLE: UC40 CUSTOMER DRAING FOR MI	鸿日达科技股份有限公司 HONGRIDA ELECTRONIC TECHNOLOGY CO., LTD.	
REV: A	FINISH: SEE NOTE		