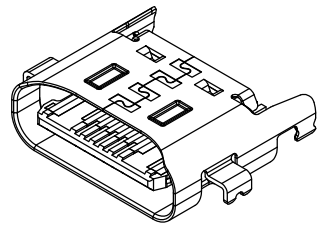
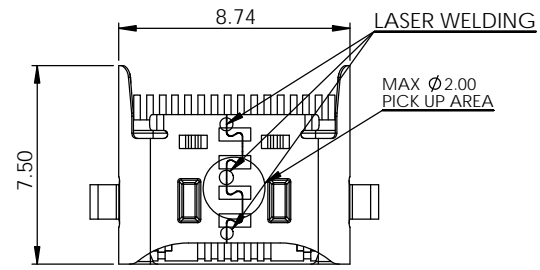


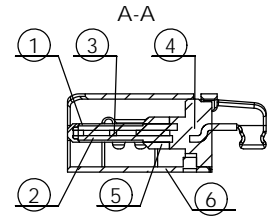
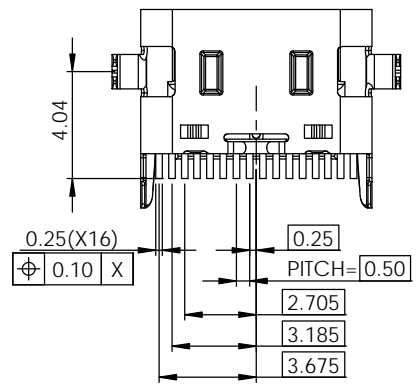
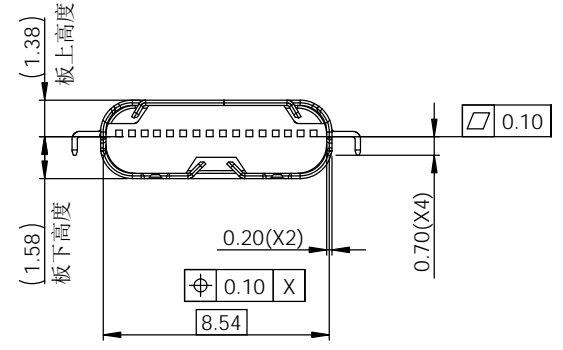
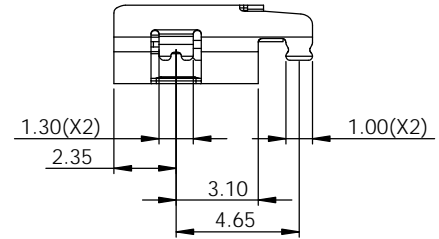
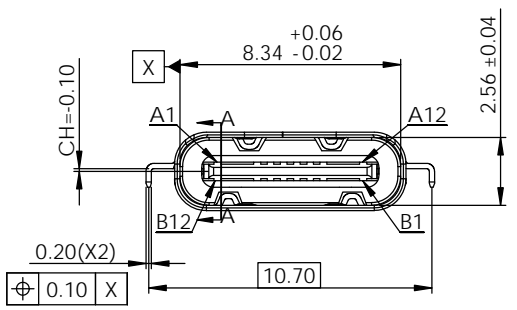
1 2 3 4 5 6 7 8

A
B
C
D
E
F

A
B
C
D
E
F



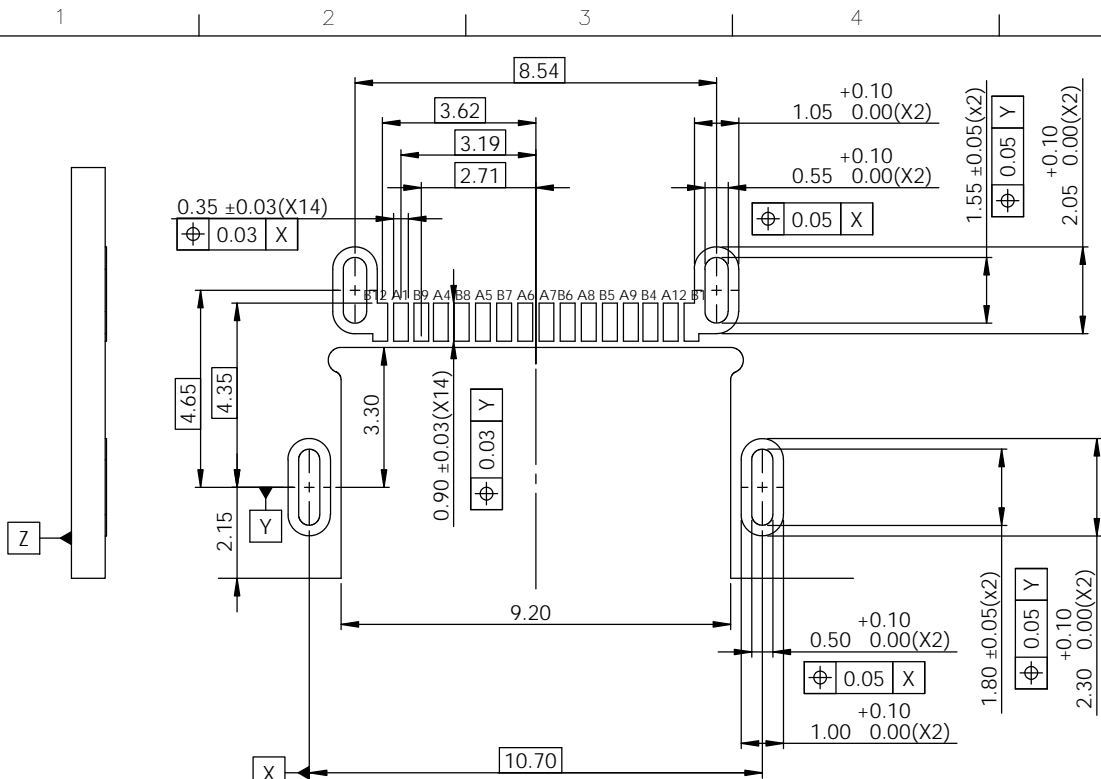
PIN ASSINGMENT											
A1	A2	A3	A4	A5	A6	A7	A8	A9	A10	A11	A12
GND	SSTXp1	SSTXq1	VBUS	CC1	Dp1	Dn1	SBU1	VBUS	SSRXn2	SSRXp2	GND
GND	SSRXp1	SSRXn1	VBUS	SBU2	Dn2	Dp2	CC2	VBUS	SSRXq2	SSTXp2	GND
B12	B11	B10	B9	B8	B7	B6	B5	B4	B3	B2	B1



6	SHELL	1	STAINLESS STEEL/Ni PLATED
5	MOLIDING2	1	THERMOPLASTIC UL94V-0
4	MOLIDING1	1	THERMOPLASTIC UL94V-0
3	GND	1	STAINLESS STEEL
2	DOWN CONTACT	8	COPPER/Au PLATED
1	UP CONTACT	8	COPPER/Au PLATED
ITEM	NAME	Q'TY	MATERIAC/FINISH

UNITS:	mm	GENERAL TOLERANCE	DRAW: SR		PART NO: UC41-0X010XR0
DATE:	04/04/2019'	X. ±0.20 .X ±0.15 .XX ±0.10 .XXX ±0.05	X." ±2.00" .X" ±1.00" .XX" ±0.50"	CHECKED:	NAME: TYPE C REC 16PIN CH=0.1 MID MOUNT TYPE
SHEET:	5 / 1	TITLE:	APPROVE:		DRAWING NO: C-C41-00-00
A	NEW	UC40 CUSTOMER DRAWING	鸿日达科技股份有限公司 HONGRIDA ELECTRONIC TECHNOLOGY CO., LTD.		
REV.	ECN NO.	DESCRIPTION	DATE	REV.	FINISH: SEE NOTE
				A	

1 2 3 4 5 6 7 8



RECOMMENDED PCB LAYOUT
PCB THICKNESS IS 0.8mm
DEFAULT TOLERANCE +/-0.05

NOTES:

- 1.0. ELECTRICAL CHARACTERISTICS
 - 1.1. LOW LEVEL CONTACT RESISTANCE:
40m ohm MAX FOR ALL CONTACT .
50m ohm MAX. AFTER ENVIRINMENT TEST
 - 1.2. DIELECTRIC WITHSTANDING VOLTAGE
100 VAC FOR 1 MINUTE SEA LEVEL
 - 1.3. INSULATION RESISTANCE
100meg ohm MIN
 - 1.4. CURRENT RATING
VBUS AND GND CONTACTS RATED AT 1.25A EA.
PARALLELED FOR A TOTAL OF 5A
- 2.0. MECHANICAL CHARACTERISTICS:
 - 2.1. INSERTION FORCE: 20N MAX
 - 2.2. EXTRACTION FORCE 1-1000 CYCLES 8N MIN. 20 N MAX.
EXTRACTION FORCE 1001-10000 CYCLES 6N MIN. 20 N MAX.
 - 2.3. DURABILITY : 10,000 CYCLES
- 3.0 .OPERATING TEMPERATURE: -55° TO +85°

CONNECTOR NUMBER CODE

UC41- 0 X 010 X R 0

1 2 3 4 5


1:PRODUCT DESCRIPTION:
UC40:USB 2.0 TYPE C REC MIDDLE MOUNT TYPE

2:PRODUCT TYPE
0:SMT TYPE

3:COLOUR OF HOUSING
B:BLACK
W:WHITE

4:CENTER HIGH
010:CH=-0.10mm

5:CONTACT PLATING
F: GOLD FLASH ON CONTACT AREA
1: Au 5u" ON CONTACT AREA
2: Au 15u" ON CONTACT AREA
3: Au 30u" ON CONTACT AREA

				UNITS: mm	GENERAL TOLERANCE		DRAW:	SR	PART NO:	UC41-0X010XR0
				DATE: 04/04/2019'	X. ±0.20	X." ±2.00"	CHECKED:		NAME:	TYPE C REC 16PIN CH=-0.1 MID MOUNT TYPE
				SCALE: 8 / 1	.X ±0.15	.X" ±1.00"	APPROVE:		DRAWING NO:	C-C41-00-00
					.XX ±0.10	.XX" ±0.50"				
					.XXX ±0.05					
A		NEW	04/04/2019'	SHEET: 2 / 2	TITLE: UC40 CUSTOMER DRAWING		 鸿日达科技股份有限公司 HONGRIDA ELECTRONIC TECHNOLOGY CO, LTD.			
REV.	ECN NO.	DESCRIPTION	DATE	REV. A	FINISH: SEE NOTE	