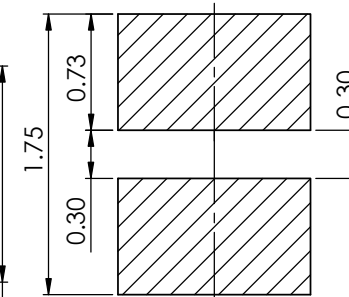
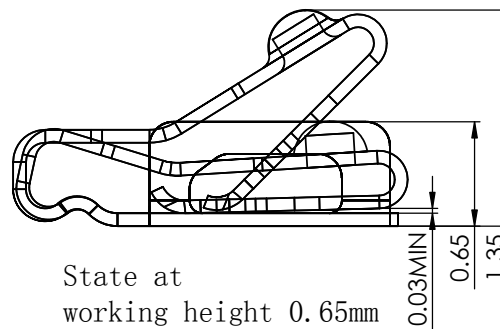
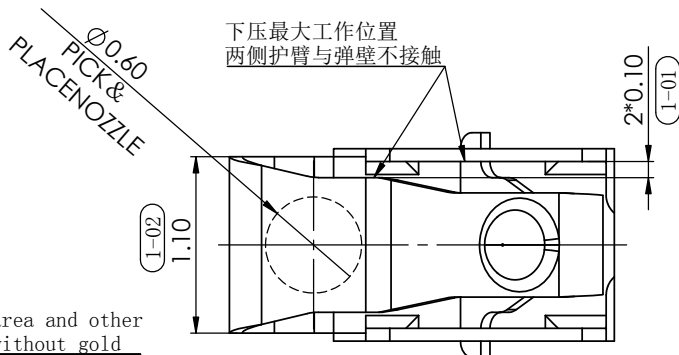
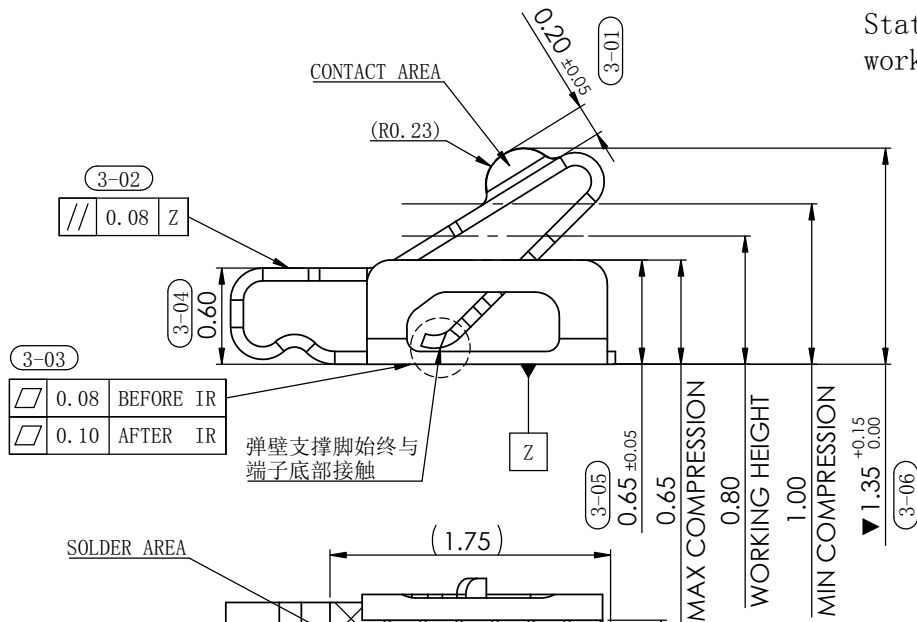
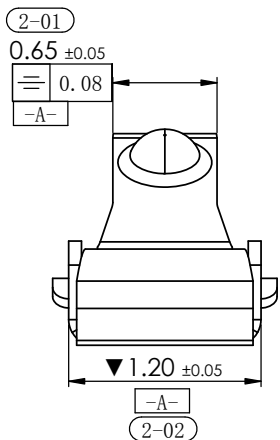


3D



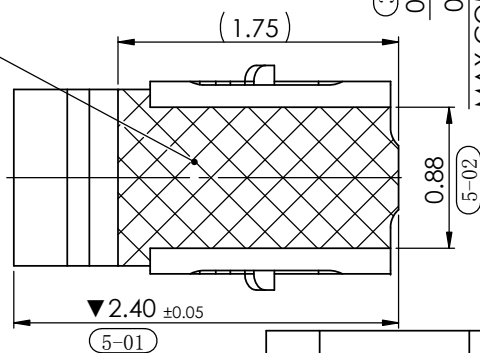
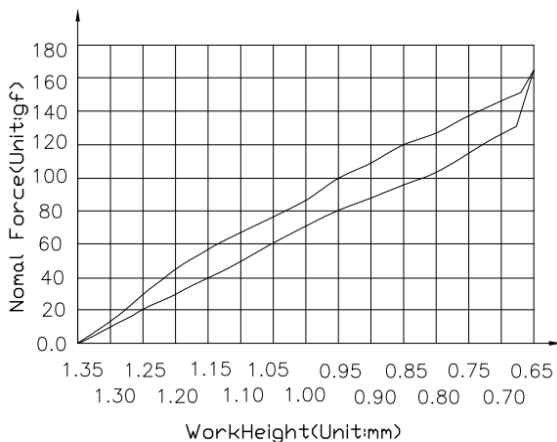
RECOMMENDED PCB LAYOUT
TOLERANCE $\pm 0.05\text{mm}$
(FOR REFERENCE ONLY)




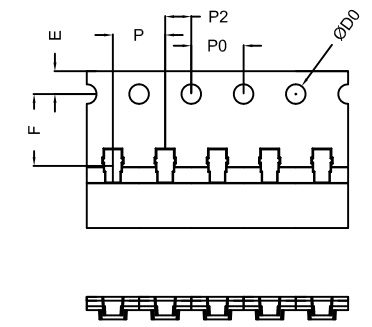
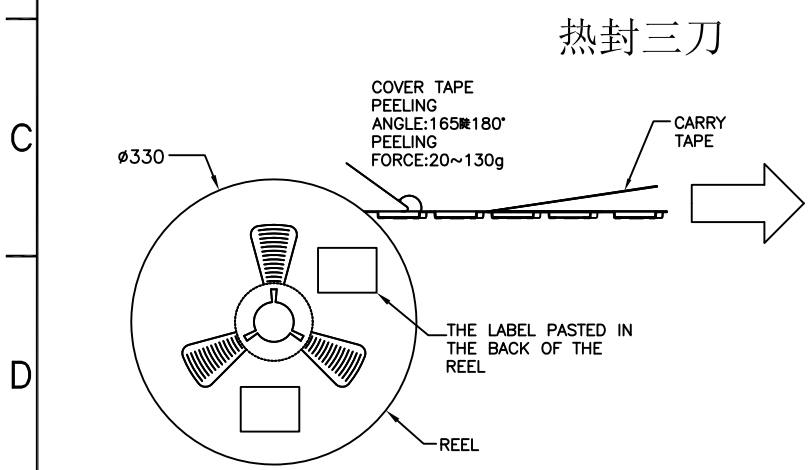
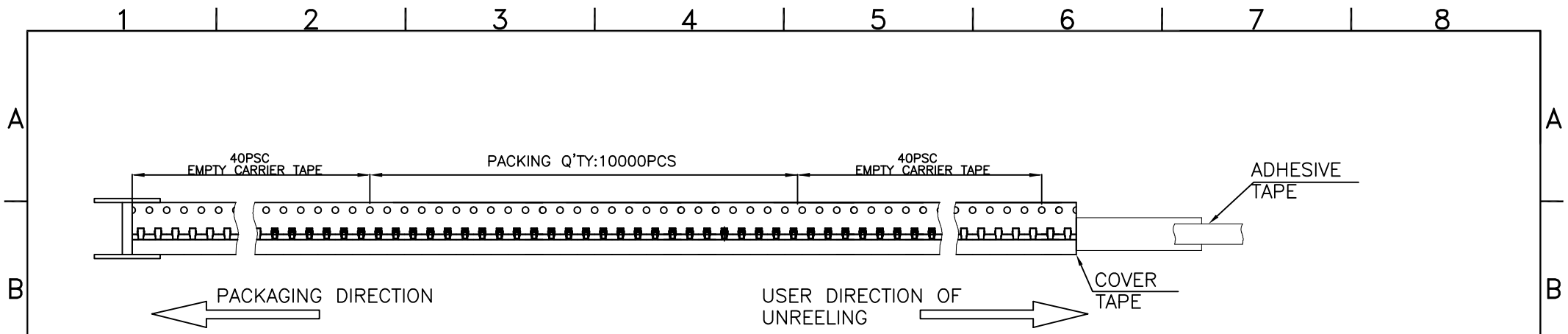
3-03	0.08	BEFORE IR
3-03	0.10	AFTER IR

NOTE:

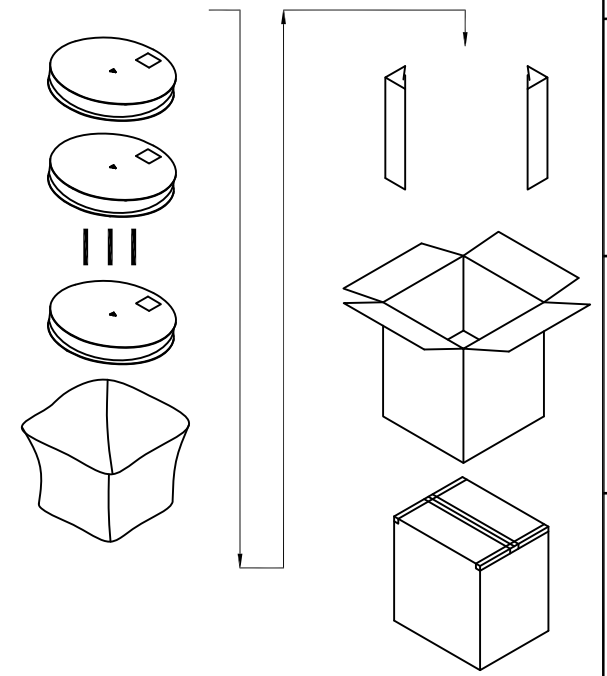
- MATERIAL:
1-1: SUS301R-EH, T=0.08 ± 0.01mm
- FINISH:
2-1: 10u" MIN. Au PLATING ON CONTACT AREA.
3u" MIN. Au PLATING ON SOLDER AREA.
50-150u" NI UNDERPLATING OVER ALL.
2-2: DIMENSIONS WITHOUT TOLERANCE PLEASE REFER TO TOLERANCE TABLE STRUCTURE WITHOUT, DIMENSIONS PLEASE REFER TO 3D DRAWING.
2-3: DIMENSIONS OF PCB PAD AND STENCIL ARE FOR REFERENCE, CUSTOMERS CAN MODIFY IT BY OWN.
- SPECIFICATIONS:
3-1: RATING CURRENT:2A
3-2: RATING VOLTAGE:10V
3-3: CONTACT RESISTANCE:30mΩ MAX. ΔR=20mΩ MAX.
3-4: OPERATING TEMPERATURE:-55C° → +85C°
3-5: FORCE MAX. DEFLECTION BEFORE OR AFTER DURABILITY:0.7N MIN. ON CONTACT POINT. THE YIELD OF SPRING HEIGHT:LESS THAN 5% MAXIMUM DISPLACEMENT.
- DURABILITY:1500 CYCLES
- SALT SPRAY TIME:24H.
- PACKING SPECIFICATION:REEL & TAPE.
- DIMENSIONS MARKED "▼" IS KEY DIMENSION;
- COMPLIANT WITH RoHS STANDARD



				UNITS: mm	GENERAL TOLERANCE		DRAW:	PART NO:
				DATE: 02/15/2020	XX ±0.30 X ±0.25	X' ±2.00 X' ±1.00	CHECKED:	TITLE: L=2.4, W=1.4, H=1.35 Shrapne
				SCALE: 30/1	.X ±0.15 .XX ±0.10	.XX' ±0.50 .XXX' ±0.50	APPROVE:	DRAWING NO: C-P80-0000
REV. A	ECN NO.	DESCRIPTION NEW	DATE 02/20/2020	SHEET: 1/1	NAME: Customer Drawing		 昆山捷皇电子精密科技有限公司 HONGRIDA ELECTRONIC TECHNOLOGY CO., LTD.	



P	4.00±0.10
P0	4.00±0.10
P2	2.00±0.10
$\phi D0$	1.50+0.1/-0
E	1.75±0.10
F	5.50±0.10
W	12.00±0.10



P80-AB01B14F	10000PCS	22	220000	350*350*390
PART NO.	Q'TY/REEL	REEL/GARTON	Q'TY/CARTON	CATTON SIZE

				UNITS: mm	GENERAL TOLERANCE		DRAW:	PART NO. P80-AB01B14F
				DATE: 02/05'2020	X. ? .20	X. ? .00*	CHECKED:	NAME:
				SCALE: /	.X ? .10	.X* ? .00*	APPROVE:	DRAWING NO. P-P80-0000
A		NEW	02/15'2020	SHEET: 1/1	.XX ? .05	.XX* ? .5*	TITLE: Customer drawing	
REV.	ECN NO.	DESCRIPTION	DATE	REV. A	FINISH SEE NOTE		昆山捷皇电子精密科技有限公司 HONGRIDA ELECTRONIC TECHNOLOGY CO.,LTD.	