

A

B

C

D

E

F

A

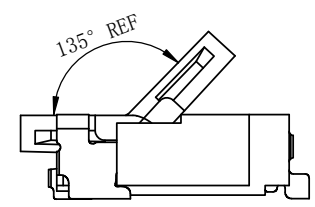
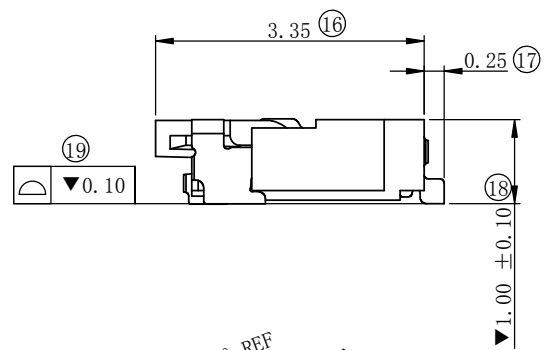
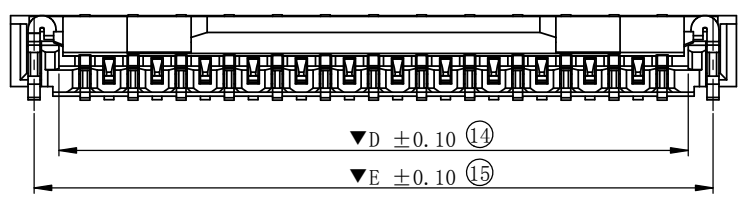
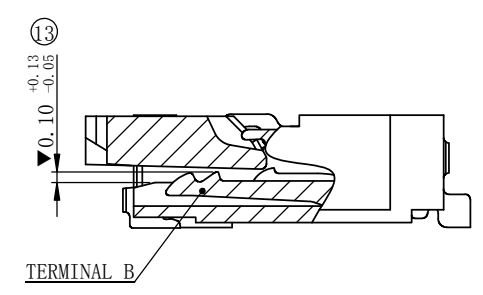
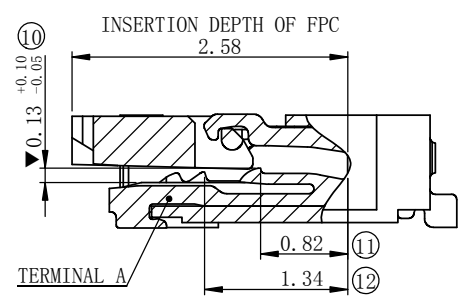
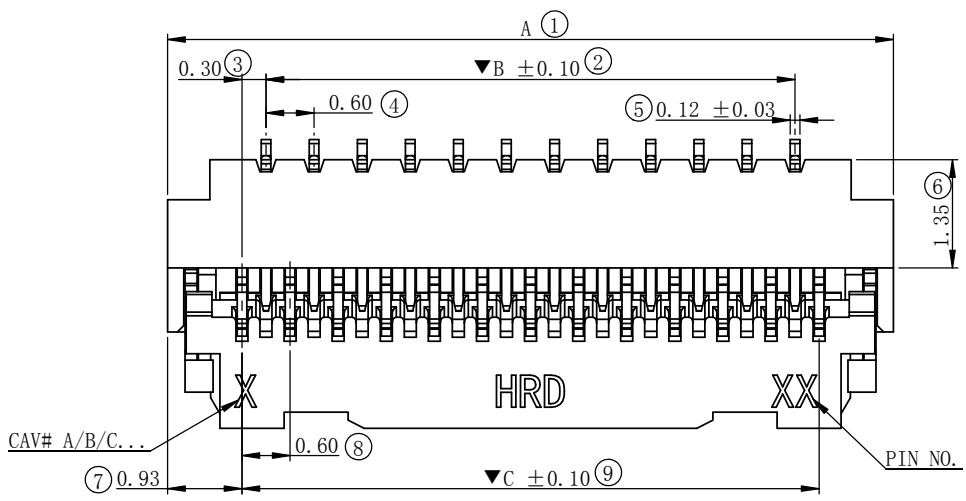
B

C

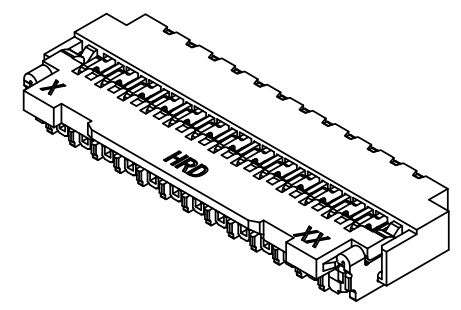
D

E

F



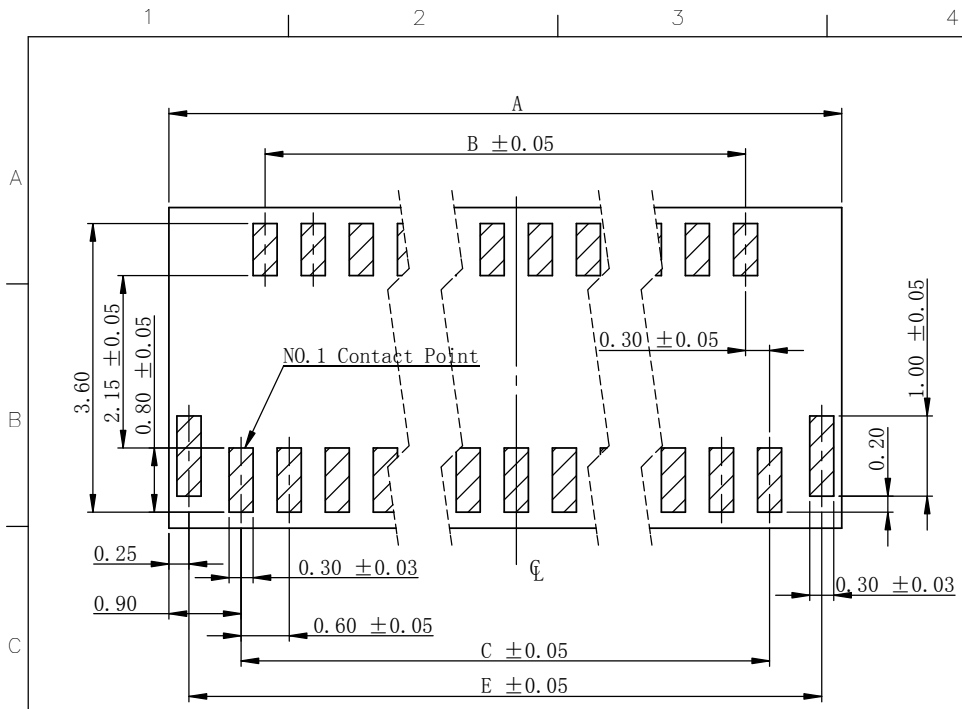
WHEN COVER IS OPENED



NOTES:

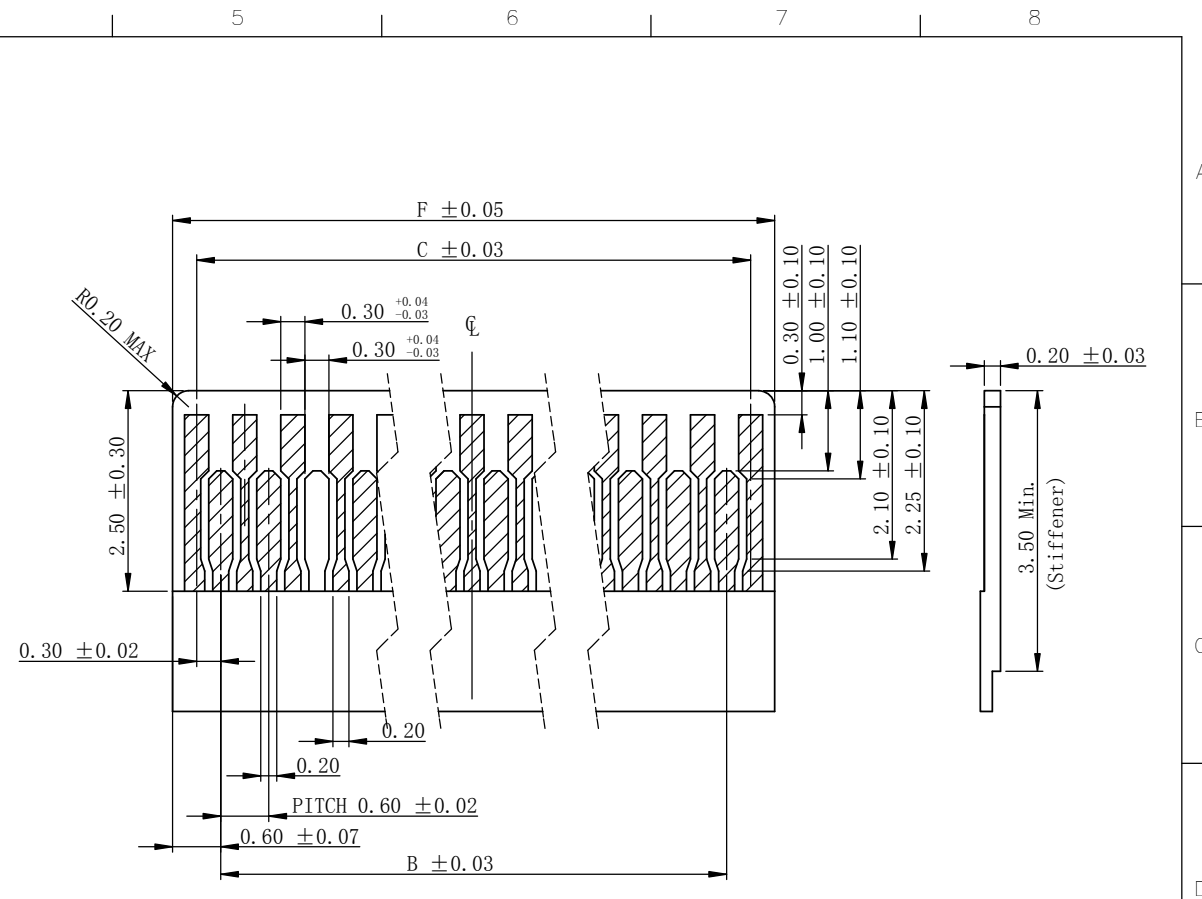
1. MATERIAL:  
 BODY: LCP, WHITE, UL 94V-0  
 COVER: PA, BLACK, UL 94V-0  
 TERMINAL: COPPER ALLOY, T=0.12mm  
 PEG: COPPER ALLOY, T=0.15mm
2. FINISH:  
 TERMINA: 50u" MIN Ni UNDER PLATING OVER ALL  
 GOLD FLASH ON CONTACT AREA  
 PEG: 50u" MIN Ni UNDER PLATING OVER ALL  
 TIN 60-200u" PLATED ON SOLDER TAIL AREA
3. ALL DIMENSIONS MARKED ▼ MUST BE CONTROLLED BY QC
4. ALL DIMENSIONS MARKED ※ MUST BE CONTROLLED BY FAI

				UNITS: mm	GENERAL TOLERANCE	DRAW:	PART NO:
				DATE: 08/25/2014	X. ±0.25 .X' ±2.00	CHECKED:	ZF3-ABXXF10A
				SCALE: 15/1	.XX ±0.15 .XXX ±0.10	APPROVE:	TITLE: 0.30mm PITCH 1.00H ZF CONN.
				SHEET: 1/2	MATERIAL: SEE NOTE		DRAWING NO: C-ZF3-00XX
REV.	ECN NO.	DESCRIPTION	DATE	REV. A	FINISH: SEE NOTE	<b>昆山捷皇电子精密科技有限公司</b> HONGRIDA ELECTRONIC TECHNOLOGY CO., LTD.	



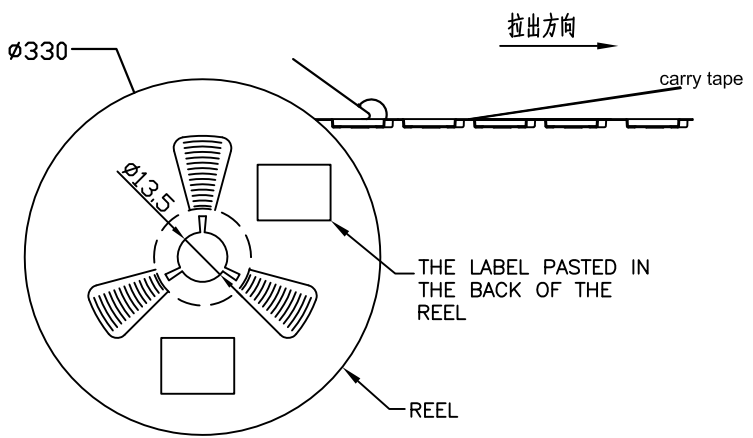
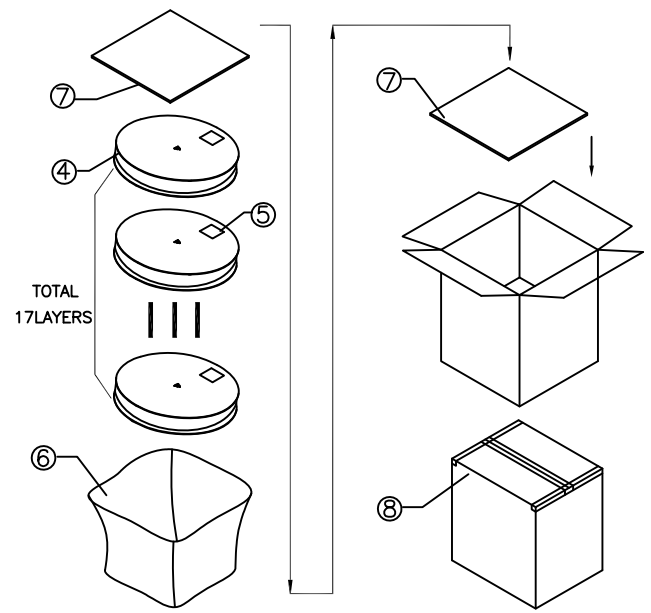
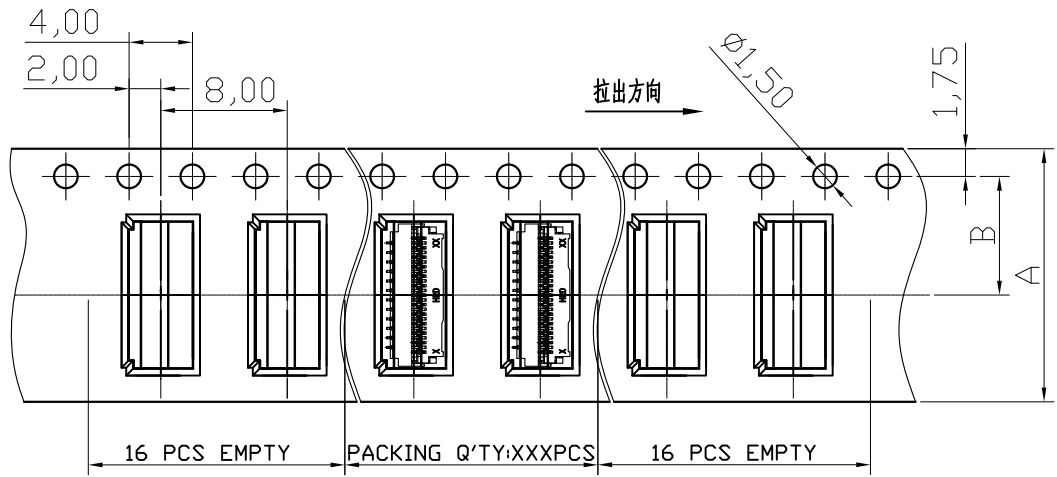
RECOMMENDED PCB DIMENSIONS

PIN NO.	P/N	DIM A	DIM B	DIM C	DIM D	DIM E	DIM F
09		4.20	1.80	2.40	3.05	3.70	3.00
11	ZF3-AB11F10A	4.80	2.40	3.00	3.65	4.30	3.60
13	ZF3-AB13F10A	5.40	3.00	3.60	4.25	4.90	4.20
15	ZF3-AB15F10A	6.00	3.60	4.20	4.85	5.50	4.80
17	ZF3-AB17F10A	6.60	4.20	4.80	5.45	6.10	5.40
19	ZF3-AB19F10A	7.20	4.80	5.40	6.05	6.70	6.00
21	ZF3-AB21F10A	7.80	5.40	6.00	6.65	7.30	6.60
23	ZF3-AB23F10A	8.40	6.00	6.60	7.25	7.90	7.20
25	ZF3-AB25F10A	9.00	6.60	7.20	7.85	8.50	7.80
27	ZF3-AB27F10A	9.60	7.20	7.80	8.45	9.10	8.40
29	ZF3-AB29F10A	10.20	7.80	8.40	9.05	9.70	9.00
31	ZF3-AB31F10A	10.80	8.40	9.00	9.65	10.30	9.60
33	ZF3-AB33F10A	11.40	9.00	9.60	10.25	10.90	10.20
35	ZF3-AB35F10A	12.00	9.60	10.20	10.85	11.50	10.80
37	ZF3-AB37F10A	12.60	10.20	10.80	11.45	12.10	11.40
39	ZF3-AB39F10A	13.20	10.80	11.40	12.05	12.70	12.00
41	ZF3-AB41F10A	13.80	11.40	12.00	12.65	13.30	12.60
43	ZF3-AB43F10A	14.40	12.00	12.60	13.25	13.90	13.20
45	ZF3-AB45F10A	15.00	12.60	13.20	13.85	14.50	13.80
49	ZF3-AB49F10A	16.20	13.80	14.40	15.05	15.70	15.00
51	ZF3-AB51F10A	16.80	14.40	15.00	15.65	16.30	15.60
57	ZF3-AB57F10A	18.60	16.20	16.80	17.45	18.10	17.40
61	ZF3-AB61F10A	19.80	17.40	18.00	18.65	19.30	18.60
67	ZF3-AB67F10A	21.60	19.20	19.80	20.45	21.10	20.40
71	ZF3-AB71F10A	22.80	20.40	21.00	21.65	22.30	21.60



RECOMMENDED FPC DIMENSIONS


				UNITS: mm		GENERAL TOLERANCE		DRAW:		PART NO: ZF3-ABXXF10A	
				DATE: 08/25/2014		X. ±0.25 .X ±0.20 .XX ±0.15 .XXX ±0.10		CHECKED:		TITLE: 0.30mm PITCH 1.00H ZF CONN.	
				SCALE: 20/1				APPROVE:		DRAWING NO: C-ZF3-00XX	
		NEW		08/25/2014		SHEET: 2/2		MATERIAL: SEE NOTE		<b>昆山捷皇电子精密科技有限公司</b> HONGRIDA ELECTRONIC TECHNOLOGY CO., LTD.	
REV.	ECN NO.	DESCRIPTION	DATE	REV.	A	FINISH: SEE NOTE					



BOM:

NO.	NAME	P/N	SPEC.
①	ZF-CONN.	ZF3-AXXXF10A	PITCH=0.30mm ZF CONN.
②	CARRY TAPE	RXX-ZF301XX0	PS,W=16.0/24.0,P=8.0
③	COVER TAPE	CXX-01000000	PE,W=13.3/20.7,T=0.05
④	REEL	PXX-01000000	$\phi 330,H=16.0/24.0$
⑤	LABEL	L01-01000000	
⑥	PE袋	G01-10100000	600*700
⑦	隔板	D02-01000000	330*330*3
⑧	纸箱	W01-01000000	350*350*390

PIN NO.	P/N	DIM A	DIM B	Q'TY/REEL	Q'TY/CARTON
09~25PIN	ZF3-AX09F10A~ ZF3-AX25F10A	16	7.50	5000PCS	85000PCS
29~39PIN	ZF3-AX29F10A~ ZF3-AX39F10A	24	11.50	5000PCS	65000PCS

				UNITS: mm	GENERAL TOLERANCE		DRAW:	PART NO: ZF3-AXXXF10A
				DATE: 09/06'18	X. $\pm 0.30$	X.* $\pm 2.00^*$	CHECKED:	TITLE: 0.3PITCH ZF CONN. PACKING
				SCALE: 1/1	.X $\pm 0.20$	.X* $\pm 1.00^*$	APPROVE:	DRAWING NO:
					.XX $\pm 0.10$	.XX* $\pm 0.50^*$		
					.XXX $\pm 0.05$	.XXX* $\pm 0.10^*$		
A	E1809372A	NEW	09/06'2018	SHEET: 1/1	MATERIAL: SEE NOTE		 昆山捷皇电子精密科技有限公司 HRD TECHNOLOGY CO.,LTD.	
REV.	ECN NO.	DESCRIPTION	DATE	REV. A	FINISH: SEE NOTE			