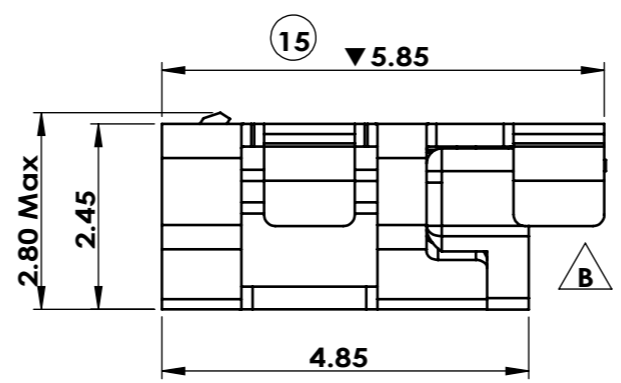
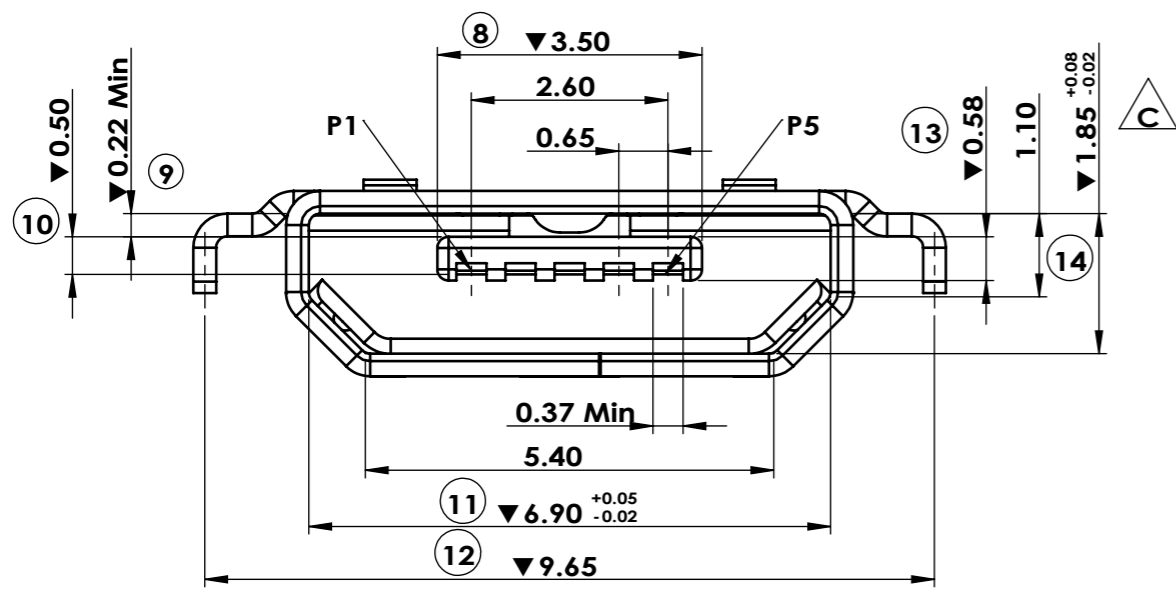


RECOMMENDED PCB LAYOUT
TOLERANCE: ±0.05

- NOTES:**
1.MATERIAL:
 HOUSING:LCP
 CONTACT:COPPER ALLOY
 SHELL:STAINLESS STEEL
2.FINISH:
 CONTACT: GOLD PLATE ON CONTACT AND SOLDER TAIL, 50u" MIN NICKEL ON ALL SURFACE.
 SHELL:1U" Min AU PLATING ON SOLDER AREA, 50u" NI MIN UNDER PLATED OVER ALL
3.PRODUCT SPECIFICATIONS:
 3-1 Voltage: 12V AC
 3-2 Current: 2.5A.
 3-3 Contact Resistance : 50 mill.hms max.
 3-4 Insulation Resistance : 100 MEG.OHM.MIN
 3-5 OPERATION TEMPERATURE:-45° TO +85°
 3-6 STORAGE TEMPERATURE:-45° TO +85°
 3-7 INSERT FORCE: 35N MAX.
 3-8 EXTRACT FORCE: 8N MIN
 3-9 DURABILITY: 10000 CYCLES
4.ALL DIMENSIONS MARKED ▼ MUST BE CONTROLLED BY QC.
5.INCREASE THE RIVETING MARK AT THE RIVETING JOINT.
6.PART NO: U09- C X 05 X 25 X



FINISH:
 O: NO WELD
 H: WELD
 HEIGHT: 25=2.5mm
FINISH:
 F:GOLD FLASH(SHELL TIN)
 A: 5u" MIN GOLD
 B:10u" MIN GOLD
 C:15u" MIN GOLD
 D:30u" MIN GOLD
 G:GOLD FLASH

TYPE :
 C=沉板型 1.85H DIP

COLOR :
 B=BLACK
 A=Current: 3A

PIN NO :
 05=5Pin

				UNITS: mm	GENERAL TOLERANCE		DRAW:	PART NO: U09-CX05X25X
				DATE: 11/13/2014	X. ±0.25	X.° ±3.00	CHECKED:	NAME: MICRO USB 5PIN 全插---直边
C	E1701002A	以规范标注公差 及制程改善	01/06/2017	SCALE: 10 / 1	.X ±0.20	.X° ±2.00°	APPROVE:	DRAWING NO:
B	E1503134A	结构改善	03/13/2015	SHEET: 1 / 1	.XX ±0.15	.XX° ±1.00°		
REV.	ECN NO.	DESCRIPTION	DATE	REV. A	FINISH: SEE NOTE			

 昆山捷皇电子精密科技有限公司
HONGRIDA ELECTRONIC TECHNOLOGY CO.,LTD.