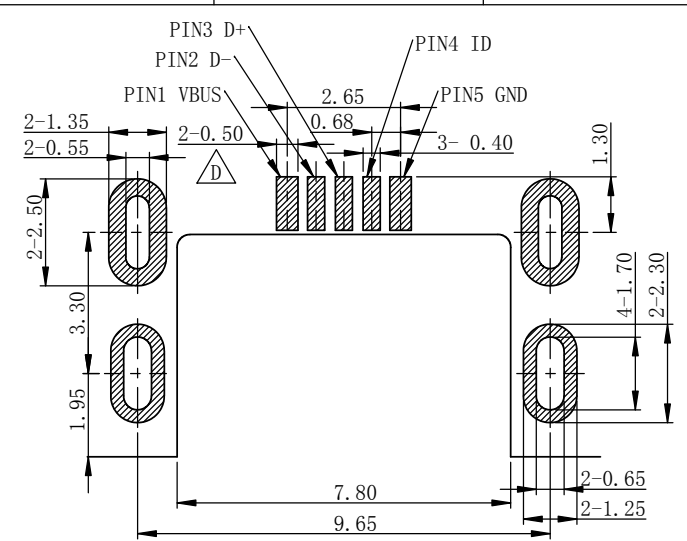
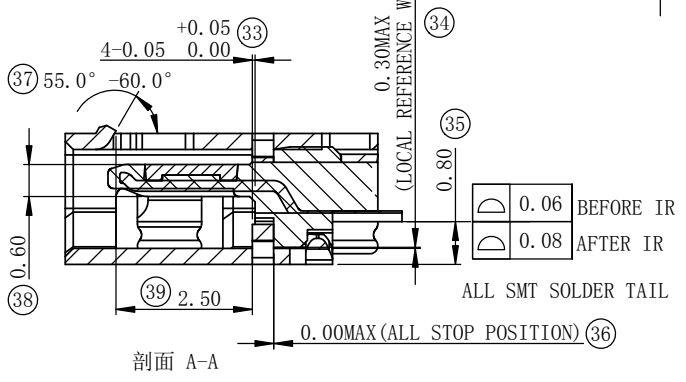


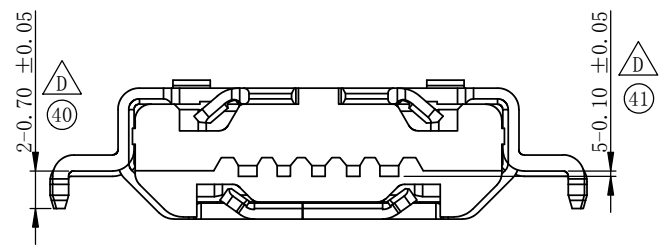
CONTACT NO.	SIGNAL NO.
1	VBUS
2	D-
3	D+
4	ID
5	GND
SHELL	SHIELD



RECOMMENDED PCB LAYOUT  
TOLERANCE: ±0.05  
STENCIL THICKNESS 0.10mm



- NOTES:
- MATERIAL:  
HOUSING: HING TEMPERATURE PLASTICS.  
CONTACT: COPPER ALLOY.  
SHELL: STAINLESS STEEL.
  - FINISH:  
CONTACT: 15u" Au MIN PLATED ON CONTACT AREA  
1u" Au ON SOLDER AREA  
50u" Ni MIN UNDERPLATED OVERALL  
SHELL: 1u" Au MIN PLATED ON SOLDER AREA  
50u" Ni MIN UNDERPLATED OVERALL
  - PRODUCT SPECIFICATIONS:  
3-1 Voltage: 12V AC  
3-2 Current: 3A.  
3-3 OPERATION TEMPERATURE: -45° TO +85°  
3-4 STORAGE TEMPERATURE: -45° TO +85°  
3-5 INSERT FORCE: 7-20N (BEFORE AND AFTER TEST)  
3-6 EXTRACT FORCE: 7-20N (BEFORE AND AFTER TEST)  
3-7 DURABILITY: 10000 CYCLES
  - GP PASSED ACCORD WITH HRD-RoHS-219 STANDARD.
  - MARK \*: DIMENSIONS MARKER IS CPK.



REV.	ECN NO.	DESCRIPTION	DATE	UNITS: mm	GENERAL TOLERANCE	DRAW:	PART NO:
E	E1904187A	客户图面更新	04/30/2019	mm	X. ±0.20 X' ±0.15 .XX ±0.10 .XXX ±0.05	X. ±2.00 X' ±1.00 .XX ± .XXX ±	U76-1B05C160
D	E1904147A	客户图面更新	04/12/2019	DATE: 04/30/2019		CHECKED:	NAME: MICRO USB 5PIN 板上1.65mm
C	E1903101A	客户图面更新	03/23/2019	SCALE: 10/1		APPROVE:	DRAWING NO: C-U76-0000
B	E1901031A	客户图面更新	01/15/2019	SHEET: 1/1	TITLE: CUSTOMER DRAW		
REV.	ECN NO.	DESCRIPTION	DATE	REV. E	FINISH: SEE NOTE		